

GFORCE ARMS™

Your Authority For Quality Firearms



GF3T® GF2P® GFPG3® GFP3®

PUMP-ACTION SHOTGUN INSTRUCTION MANUAL

MODELS

GF3T® GF2P®
GFPG3® GFP3®

ITEM NUMBERS

GF3T1220®,
GF2P1220®,
GFP31220®,
GFP32020®,
GFPG31220®

DESCRIPTION

GFORCE ARMS 12GA &
20GA PUMP ACTION
SHOTGUNS

MANUFACTURER

RADIKAL ARMS (GFP3,
GF3T)
FRANCOLIN (GF2P)

This instruction manual should always accompany this firearm and be transported with it upon transfer of ownership, or when this firearm is loaned or presented to another person.

FOR SERVICE ON THIS MODEL CALL
[775] 788-1765

READ THE INSTRUCTIONS AND WARNINGS IN THIS MANUAL CAREFULLY BEFORE USING THIS FIREARM

© 2021 GFORCE ARMS, INC.

THIS MANUAL MAY NOT BE REPRODUCED IN WHOLE OR IN PART WITHOUT THE WRITTEN PERMISSION OF GFORCE ARMS, INC.



GFORCE ARMS™

TABLE OF CONTENTS

PAGE 03

FIREARM
SAFETY

PAGE 04

A GUN OWNER'S
RESPONSIBILITY

PAGE 05

AMMUNITION

PAGE 06

SAFETY OPERATION

PAGE 07

LOADING
FIREARM

PAGE 08

UNLOADING
FIREARM

PAGE 9

SHOOTING
FIREARM

PAGE 10

CLEARING JAM
OR MISFIRE

PAGE 11

DISASSEMBLY
PROCEDURES

PAGE 12

DISASSEMBLY
PROCEDURES
CONT.

PAGE 13

EXPLODED VIEW
GF3T
GF2P
GFPG3

PAGE 14

EXPLODED VIEW
GF3T
GF2P
GFPG3 CONT.

PAGE 15

EXPLODED VIEW
GFP3

PAGE 16

EXPLODED VIEW
GFP3 CONT.

PAGE 17

CARE AND
MAINTENANCE

FIREARM SAFETY

IMPORTANT WARNING: FAILURE TO ADHERE TO THE RULES OF FIREARM SAFETY CAN RESULT IN SERIOUS INJURY, DEATH, OR DESTRUCTION OF PROPERTY.

IMPORTANT WARNING: IT IS IMPORTANT FOR YOU TO RECEIVE PROPER TRAINING FROM A COMPETENT FIREARMS INSTRUCTOR OR AUTHORITY BEFORE BEGINNING TO SHOOT OR WHEN HANDLING THE FIREARM.

COMPLETELY READ AND UNDERSTAND YOUR OWNER'S MANUAL GUIDELINES BEFORE USING YOUR FIREARM.

You should fully understand the function of all of the components and mechanics of the firearm. Before you remove the firearm out of the box thoroughly read the owner's manual on how to properly carry, handle, load, unload, and store your new firearm. Know the rules of proper gun safety and exercise them at all times because failure to do so may result in death or injury to yourself or others. Because it is impossible to list every firearm situation or scenario, be aware that certain circumstances may require additional safety rules unique to a particular situation. In these cases, we recommend that you use your best judgement.

ALWAYS LEARN THE SPECIFIC MECHANICAL AND HANDLING CHARACTERISTICS OF YOUR SHOTGUN

All firearms are different thus it is important for you to understand how to properly carry, use, and handle each one according to its specific guidelines. Before using any firearm, one must completely familiarize themselves with the type of firearm and its specific safe handling procedures for loading, unloading and carrying.

NEVER GIVE THE SHOTGUN TO ANY PERSON WHO HAS NOT THOROUGHLY FAMILIARIZED HIMSELF OR HERSELF WITH ALL OF THE INFORMATION, SAFETY RULES, AND WARNINGS IN THE OWNER'S MANUAL.

NEVER ALTER OR MODIFY YOUR SHOTGUN

This shotgun was produced under specific manufacturer guidelines and should not be modified under ANY circumstances. Altering the trigger, mechanical components, safety mechanisms, or using any parts or accessories other than those that were provided in the original box with your gun or specifically recommended in this manual is NOT RECOMMENDED by the manufacturer, and could result death, bodily harm, or compromise your safety or the safety of others. Any alteration made to the firearm also voids the factory warranty.

ALWAYS KEEP THE FIREARM UNLOADED UNTIL READY TO USE

Firearms should be kept unloaded when not in use. Whenever you pick up a firearm, immediately engage the safety device to visually inspect the chamber and confirm that it is clear. Always unload all ammunition from the chamber after:

- 1.) Before handing the firearm to another person.
- 2.) After shooting the firearm.
- 3.) Before storing the firearm.

ALWAYS KEEP THE MUZZLE POINTED IN A SAFE DIRECTION

It's as simple as that, and it's up to you. Never point your gun at anything you do not intend to shoot. The safe direction may be "up" on some occasions or "down" on others, but never pointed at anyone or anything not intended as a target.

KNOW YOUR TARGET AND WHAT IS BEYOND IT

Whether you are at the range or in the woods, if you're going to shoot, you must know what lies beyond your target. In almost all cases, you must be sure that there is something that will serve as a backstop to capture projectiles that miss or go through the target.

A GUN OWNER'S RESPONSIBILITY

As the owner of a firearm you have the responsibility and obligation of ensuring that any and all shooting activities are safe for everyone. This requires your personal commitment to carefully read, fully understand, and exercise the principles of proper firearm safety at all times. If this is the first shotgun you have ever owned, or if you have limited experience with firearms, please visit your local shooting range and ask a trained professional to provide you with hands on training and tutorial. Doing this will improve your confidence and safety when using your firearm.

DISCLAIMER

THE FIREARM TO WHICH THESE SAFETY RULES APPLY IS SOLD UNDER THE EXPRESS DAMAGE RESULTING FROM CONDITION THAT THE MANUFACTURER ACCEPTS NO LIABILITY IN PART OR WHOLE FOR BODILY INJURY, DEATH, OR PROPERTY DAMAGE FROM:

- IMPROPERLY OR CARELESSLY HANDLING THE FIREARM.
- USING DEFECTIVE , IMPROPER CALIBER, HAND-LOADED, OR RELOADED AMMUNITION.
- INADEQUATE MAINTENANCE OF THE SHOTGUN RESULTING IN CORROSION OR DAMAGE.
- NEGLIGENCE.
- RESALE IN CONTRADICTION OF ANY APPLICABLE LAWS OR REGULATIONS.
- ALTERING OR CONVERTING THE FIREARM'S ORIGINAL AESTHETIC, FUNCTIONING MECHANISMS, ACCESSORIES, OR MECHANICAL CONFIGURATION.
- DISCHARGING WITH CRIMINAL INTENT OR NEGLIGENCE.
- FAILURE TO UNDERSTAND, ADHERE TO, AND FOLLOW THE RULES OF FIREARM SAFETY WHEN USING OR HANDLING THE FIREARM.
- OR ANY OTHER CIRCUMSTANCES OUTSIDE THE MANUFACTURER'S DIRECT OR IMMEDIATE CONTROL.

ALWAYS STORE YOUR FIREARM IN A SECURE STORAGE AREA TO PREVENT UNAUTHORIZED ACCESS

GForce Arms, Inc. recommends storing your firearm in a safe made specifically for firearms. Metal gun safes are recommended over open racks or glass front cabinets. In the case that a safe is not available for use, there are aftermarket trigger locking devices that can also be used to ensure that the firearm is unusable before storing in an inconspicuous location such as a closet shelf, or other location out of plain view that is high enough to be out of the reach of young children. GForce Arms, Inc. also recommends that ammunition is stored in a separate location from the firearm. Never store a firearm loaded.

NEVER:

- Leave a loaded gun unattended, propped up against a surface, or out of your hands.
- Assume a firearm is unloaded, even if you used it last. Always check to make sure that there is no ammunition and the chamber is clear.
- Load a cartridge into the chamber until you are ready to fire.
- Carry or transport your firearm with live ammunition in the chamber.
- Pass a firearm to another person or accept a firearm from another person, until the cylinder or action is open and you have personally checked that the weapon is completely unloaded.
- Haul a loaded firearm openly or in a carrying case.
- Never transfer or hand a loaded firearm to someone else.

ALWAYS KEEP YOUR FINGER OFF THE TRIGGER UNTIL YOU ARE READY TO SHOOT

When holding the firearm be sure to rest your finger on the trigger guard or along the side of the gun.

NEVER:

- Touch the trigger until you are ready to fire.
- Engage in horseplay while handling a firearm.
- Rely on the safety devices of the gun. Mechanical safeties are never foolproof and can wear out and malfunction.

ALWAYS KEEP THE GUN POINTED IN A SAFE DIRECTION

A safe direction is one in which an accidental discharge cannot or would not cause injury or harm to yourself or others. Use extreme caution especially when loading and unloading your firearm. When handling any firearm always treat it as if it was loaded and ready to fire, even if you think it is empty. The recommended carrying position of your shotgun is with the hammer in de-cocked position.

NEVER:

- Point your firearm at anything you don't intend to shoot.
- Use a firearm under the influence of alcohol, drugs, or any other substances that may impair your judgment, skills, or physical abilities.
- Target shoot or hunt with a firearm when you are fatigued or too tired to operate the firearm safely.

AMMUNITION

RECOMMENDED AMMUNITION

The firearm(s) is compatible for the use of 2 ¾" inch and 3" inch 12GA cartridge lengths. The firearm(s) "GF2P, GFPG3, GF3T, GF3P" **DO NOT SHOOT SLUGS**. It is not safe to shoot slugs through fixed-MOD chokes; we recommend improved cylinder & cylinder chokes to shoot slugs.

IMPORTANT WARNING - AMMUNITION

Death, serious injury, and damage can result from the wrong ammunition, bore obstructions, powder overloads or incorrect cartridge components. Even the strongest gun can be blown up by excess pressure. Only use correct ammunition loaded to U.S. Industry Standards. Always wear shooting glasses and hearing protection. IMPROPER AMMUNITION DESTROYS GUNS.

IMPORTANT WARNING - LEAD EXPOSURE

Discharging firearms in poorly ventilated areas, cleaning firearms, or handling ammunition may result in exposure to lead and other substances known to the State of California to cause birth defects, reproductive harm and other serious physical injury. Have adequate ventilation at all times. Wash hands thoroughly after exposure. SHOOTING OR CLEANING GUNS MAY EXPOSE YOU TO LEAD

AMMUNITION [CARTRIDGES] NOTICE

WE SPECIFICALLY DISCLAIM RESPONSIBILITY FOR ANY DAMAGE OR INJURY WHATSOEVER OCCURRING IN CONNECTION WITH, OR AS A RESULT OF, THE USE OF FAULTY, SUB-STANDARD, REMANUFACTURED, OR HAND LOADED (RELOADED) AMMUNITION, OR OF CARTRIDGES OTHER THAN THOSE FOR WHICH THE FIREARM WAS ORIGINALLY CHAMBERED.

LEGAL OWNERSHIP

STATE-BY-STATE WARNINGS

Some states have their own legally required warning notices in larger than normal type that must be conspicuously included by the manufacturer, distributor or retailer with firearms sold in that state. GForce Arms, Inc. sells its products in compliance with applicable laws and regulations, and so we include the following:

Connecticut:

"UNLAWFUL STORAGE OF A LOADED FIREARM MAY RESULT IN IMPRISONMENT OR FINE."

Florida:

"IT IS UNLAWFUL, AND PUNISHABLE BY IMPRISONMENT AND FINE, FOR ANY ADULT TO STORE OR LEAVE A FIREARM IN ANY PLACE WITHIN THE REACH OR EASY ACCESS OF A MINOR UNDER 18 YEARS OF AGE OR TO KNOWINGLY SELL OR OTHERWISE TRANSFER OWNERSHIP OR POSSESSION OF A FIREARM TO A MINOR OR A PERSON OF UNSOUND MIND."

Maine:

"ENDANGERING THE WELFARE OF A CHILD IS A CRIME. IF YOU LEAVE A FIREARM AND AMMUNITION WITHIN EASY ACCESS OF A CHILD, YOU MAY BE SUBJECT TO FINE, IMPRISONMENT OR BOTH. KEEP FIREARMS AND AMMUNITION SEPARATE. KEEP FIREARMS AND AMMUNITION LOCKED UP. USE TRIGGER LOCKS."

North Carolina:

"IT IS UNLAWFUL TO STORE OR LEAVE A FIREARM THAT CAN BE DISCHARGED IN A MANNER THAT A REASONABLE PERSON SHOULD KNOW IS ACCESSIBLE TO A MINOR."

Texas:

"IT IS UNLAWFUL TO STORE, TRANSPORT, OR ABANDON AN UNSECURED FIREARM IN A PLACE WHERE CHILDREN ARE LIKELY TO BE AND CAN OBTAIN ACCESS TO THE FIREARM."

Wisconsin:

"IF YOU LEAVE A LOADED FIREARM WITHIN THE REACH OR EASY ACCESS OF A CHILD YOU MAY BE FINED OR IMPRISONED OR BOTH IF THE CHILD IMPROPERLY DISCHARGES, POSSESSES, OR EXHIBITS THE FIREARM."

Please check with your licensed retailer or state police for additional warnings which may be required by local law or regulation. Such regulations change constantly, and local authorities are in the best position to advise you on such legal matters.

SAFETY OPERATION

It is imperative as the owner of this firearm that you clearly understand where the safety mechanism is located on the firearm and how the safety mechanism works. To engage the safety, push the button so that it protrudes from the right side of the gun and the **RED BAND MARKING CAN NOT BE SEEN**.



LOADING THE FIREARM

First make sure that the safety is in the "ON" position and the firearm is pointed in a safe direction, in case for any reason the gun would accidentally discharge. Push up on the action bar lock and pull the forearm completely to the rear. Put one shell through the ejection port, making sure it is the correct gauge and length.



Push the forearm forward and close the action. Push a shell upward against the bottom of the carrier and then forward to install a shell in the magazine tube. Repeat this step until the tube is full or you've achieved the desired number of shells.

The chamber is now loaded and ready to fire.



WARNING - HANDLING



Never carry the shotgun loaded with the safety selector in the "OFF" position. If dropped or struck with the safety off, the shotgun may fire. Such a discharge can occur without the trigger being directly struck or touched. Never rest a loaded shotgun against any object (wall, fence, vehicle, tree, etc.) because there is always the possibility that the shotgun will be jarred or slide from its position and fall with sufficient force to discharge. Keep safety on unless actually firing.

ANY GUN MAY FIRE IF DROPPED.

UNLOADING THE FIREARM

Ensure that the safety is on and point the firearm in a safe direction. Keep your finger off of the trigger. Press the action release button and firmly pull the forend to the rear. The round in the chamber will be extracted and another shell loaded into the chamber from the tube. Repeat the above action until all rounds have been cycled through and individually ejected through the ejection port. Finally, press the action release button one additional time and pull the forearm to the rear. Do a thorough VISUAL and PHYSICAL inspection of both the chamber and the action tube with eyes and fingers to ensure that all rounds have been removed from the firearm.



SAFETY





SHOOTING THE FIREARM

WARNING - USE SAFETY GLASSES AND HEARING PROTECTION WHEN SHOOTING

Wear safety glasses when firing the weapon to protect your eyes from airborne debris or projectile ricochet. When shooting, shotguns will often produce decibels of 155 and higher. Exposure to sounds producing decibels over 70 can lead to hearing loss. Therefore, it is important to wear hearing protection when shooting.

WARNING - ALWAYS MAKE SURE THAT THE BARREL IS CLEAR OF ANY OBSTRUCTIONS BEFORE SHOOTING

Before loading always perform a safety check to make sure that there is no ammunition in the chamber or magazine. Examine the barrel for any obstructions or debris such as excess lubricant, dirt, or grease. If the bore is obstructed it can cause increased pressure causing the barrel to bulge or burst during use. Always use a cleaning rod and patch to remove any residues or obstructions in the barrel.

DO NOT TOUCH THE TRIGGER UNTIL YOU ARE ACTUALLY READY TO FIRE THE FIREARM

WARNING - FIRING

When firing the weapon, be sure that bystanders are well clear of the shooter and standing a safe distance behind the shooter. Empty cartridge cases are hot and are normally ejected from the shotgun to the right of the shooter. They could cause injury to another person who is standing too closely alongside the shooter. Shooters who fire right-handed shotguns from their left shoulder should be particularly cautious concerning ejected cartridge cases (and the back of the bolt as it is drawn rearward.)

CLEARING A JAM OR MISFIRE

A jam occurs when the shotgun is fired, but the bolt does not cycle properly causing the fired/empty cartridge to remain in the receiver or chamber. A misfire occurs when the trigger is pulled, the hammer releases hitting the firing pin, but the cartridge does not discharge/fire.

While firing your shotgun, if you experience a jam or misfire, keep the firearm pointed in a safe direction and flip the safety selector to "S." Remove the magazine and unload the shotgun to remove the jammed or misfired cartridge. Visually check the chamber to ensure it is unloaded.

MISFIRE

In the event of a misfire check the primer on the ejected cartridge for a strike mark. In the event that there is a shallow dimple in the primer, it is most commonly caused by a light strike. We recommend trying a different brand of ammunition to determine whether the light strike is caused by a deeply seated primer or if it is a malfunction of the firearm itself. If it is determined to be a malfunction of the firearm, please make sure to fill out a service request on the www.gforcearms.com website. GForce Arms, Inc. wants to get your firearm into the service shop for review and repair as needed.

CYCLING JAM

In the event of a jam, ensure there are no foreign objects in the chamber or cycling area that could cause the jam. The firearm may need to be disassembled, thoroughly cleaned, oiled and reassembled before attempting to fire it again.

If these steps are taken, but they do not improve the function of your shotgun and it continues to jam, please make sure to fill out a service request on the www.gforcearms.com website. GForce Arms, Inc. wants to get your firearm into the service shop for review and repair as needed.

DISASSEMBLY PROCEDURES

Step by step instructions to disassemble and re-assemble the GForce Arms pump-action shotgun, as demonstrated by Matt H. our firearms specialist. If you prefer to follow along with a video, please visit our YouTube channel and watch along by searching for your model.

STEP 1: ENSURE FIREARM IS COMPLETELY UNLOADED BY VISUALLY AND PHYSICALLY INSPECTING THE CHAMBER AND MAGAZINE TUBE ARE CLEAR OF AMMUNITION.



STEP 2: UNSCREW MAGAZINE CAP, PRESS THE ACTION RELEASE BUTTON AND PULL THE FOREND REARWARD. THEN, PUSH FOREND FORWARD FIRMLY TO HELP SEPARATE THE BARREL FROM THE RECEIVER.

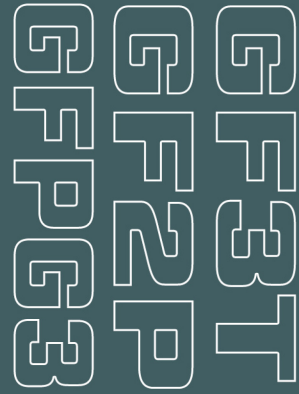


STEP 3: ONCE THE BARREL, ACTION ARM, FOREND AND BOLT ARE REMOVED FROM THE RECEIVER, SEPARATE THE PARTS BY FIRST REMOVING THE BOLT FROM THE ACTION ARM AND BARREL, THE BARREL FROM THE ACTION ARM AND FINALLY THE ACTION ARM FROM THE FOREND BY RAISING IT UPWARD AND SLIPPING IT OUT OF THE NOTCH IN THE FOREND.

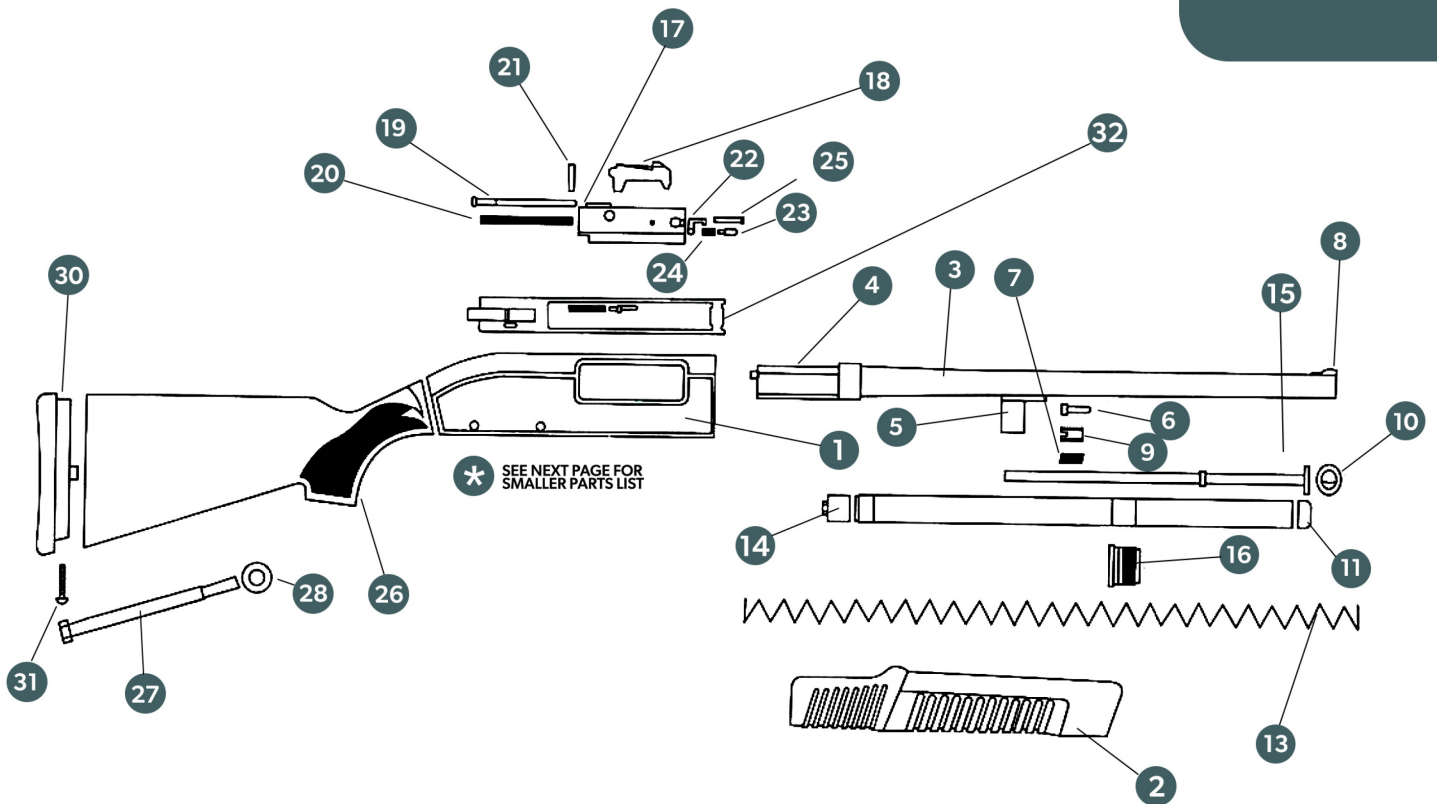


REASSEMBLY PROCEDURES

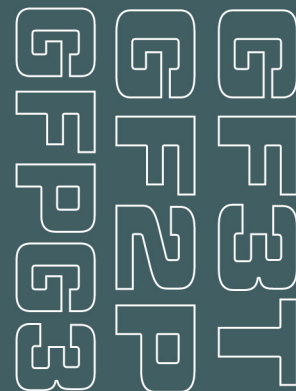
**RE-ASSEMBLE THE FIREARM BY REVERSING THE
DISASSEMBLY STEPS ABOVE.**



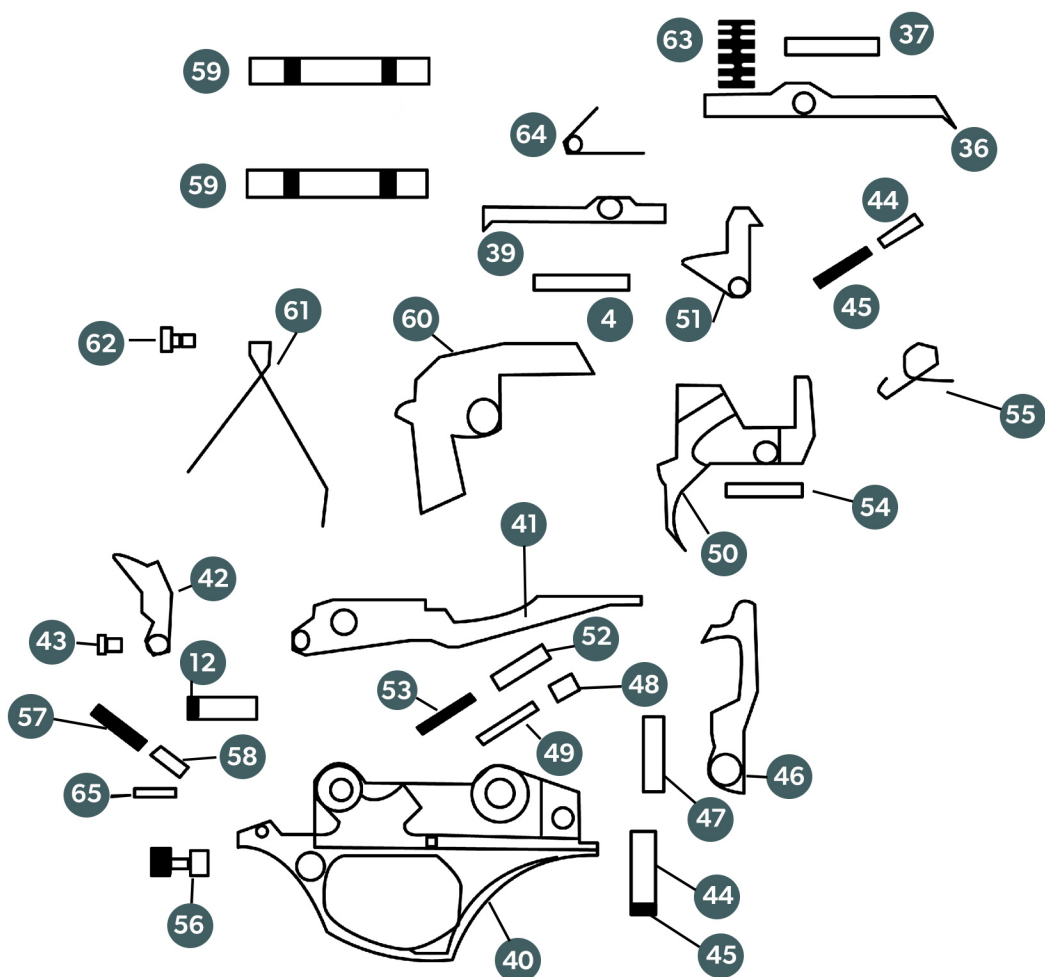
EXPLODED VIEW



- | | | |
|------------------------|----------------------------|--------------------------|
| 1. RECEIVER | 13. MAGAZINE SPRING | 24. EXTRACTOR SPRING |
| 2. FOREND | 14. CARTRIDGE EJECTOR PLUG | 25. EXTRACTOR SPRING PIN |
| 3. BARREL | 15. PLUG | 26. STOCK |
| 4. BARREL LUG | 16. MAGAZINE BOLT CAP | 27. STOCK BOLT |
| 5. PUMP RING | 17. BOLT ACTION | 28. STOCK BOLT WASHER |
| 6. PUMP RING PIN | 18. LOCKING BLOCK | 30. RECOIL PAD |
| 7. PUMP RING SPRING | 19. FIRING PIN | 31. RECOIL PAD SCREW |
| 8. BEAD SIGHT | 20. FIRING PIN SPRING | 32. SLIDING BAR |
| 9. PUMP RING SCREW | 21. FIRING PIN HOLDER | |
| 10. PLUG CAP | 22. EXTRACTOR | |
| 11. MAGAZINE UPPER CAP | 23. EXTRACTOR PIN | |

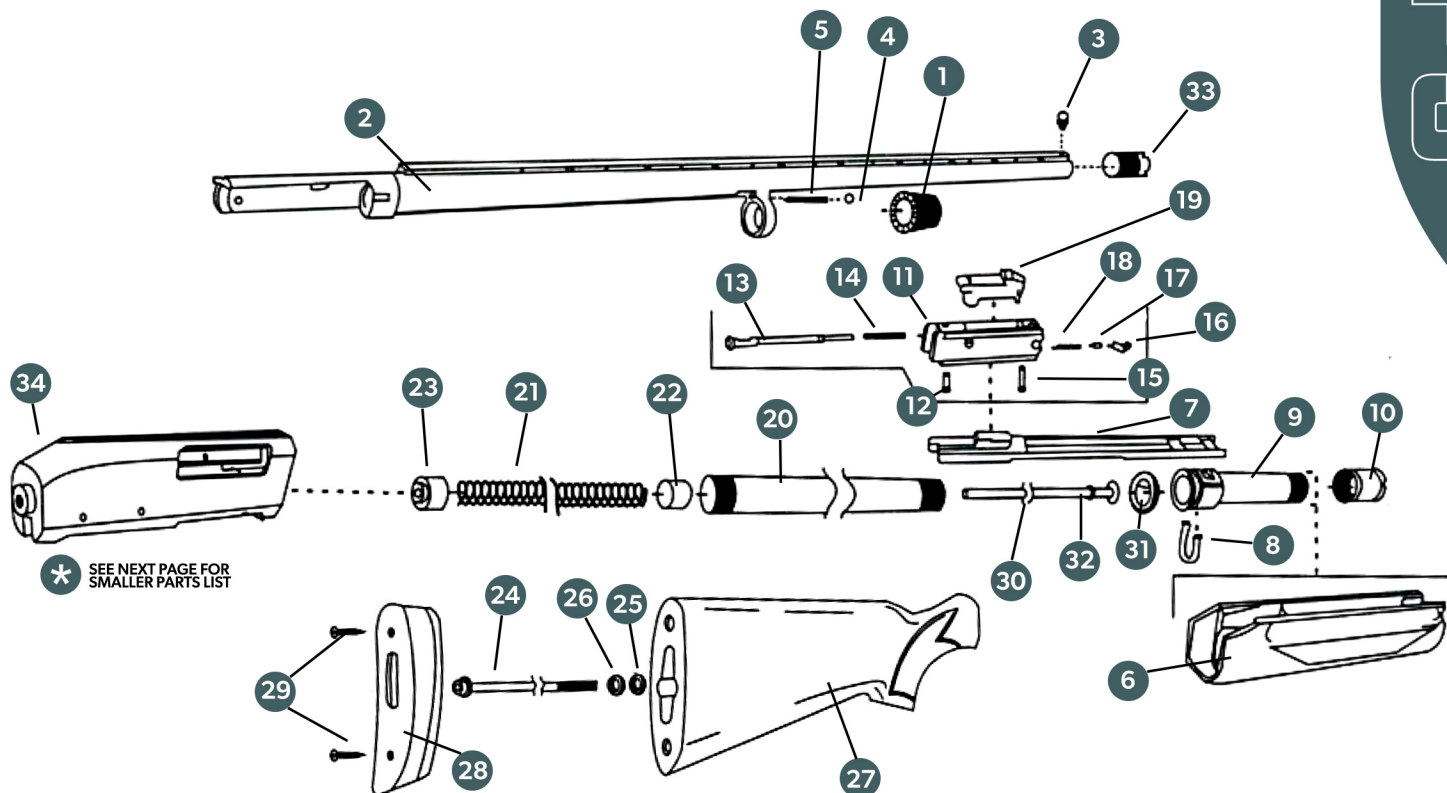


EXPLODED VIEW



- | | |
|---------------------------------|----------------------------------|
| 36. CARRIER LATCH | 51. INTERNAL SAFETY |
| 37. CARRIER LATCH PIN | 52. INTERNAL SAFETY CAPSULE |
| 38. CARTRIDGE HOLDER SPRING | 53. INTERNAL SAFETY SPRING |
| 39. CARTRIDGE HOLDER | 54. TRIGGER PIN |
| 40. TRIGGER GROUP | 55. TRIGGER SPRING |
| 41. CARTRIDGE CARRIER | 56. SAFETY |
| 42. CARTRIDGE LIFTER | 57. SAFETY SPRING |
| 43. CARTRIDGE LIFTER PIN | 58. SAFETY CAPSULE |
| 44. INTERNAL SAFETY SPRING | 59. CAPSULE PIN |
| 45. INTERNAL SAFETY SPRING CASE | 60. UNLOADING LATCH |
| 46. HAMMER | 61. UNLOADING LATCH SPRING |
| 47. HAMMER PIN | 62. UNLOADING LATCH SPRING SCREW |
| 48. HAMMER PIN CAPSULE | 63. METAL HOLDER SPRING |
| 49. HAMMER SPRING | 64. PLUG CAP |
| 50. TRIGGER | 65. SAFETY PIN |

EXPLODED VIEW

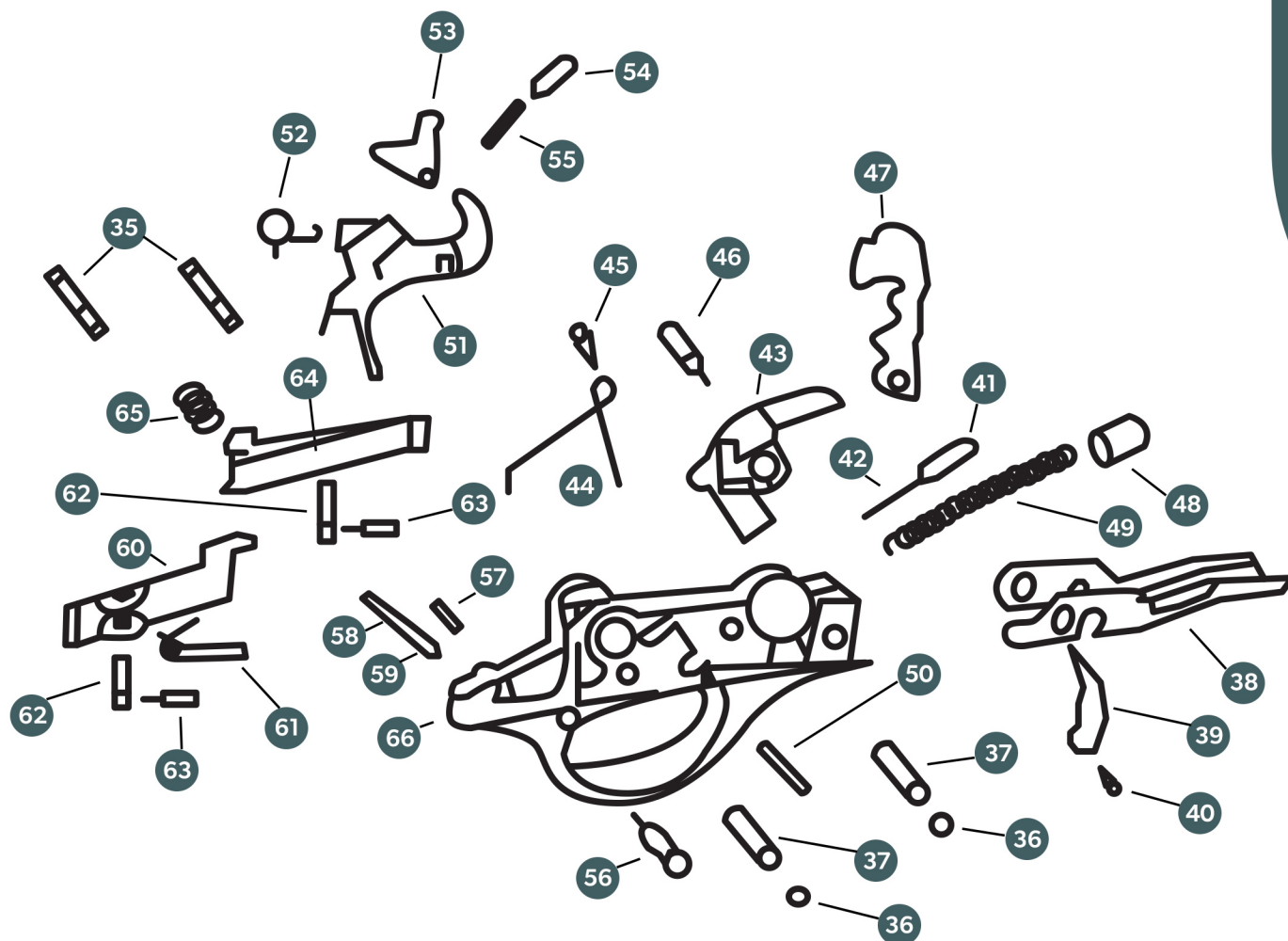


* SEE NEXT PAGE FOR SMALLER PARTS LIST

- | | |
|-------------------------------|------------------------------|
| 1. MAGAZINE CAP | 18. SPRING, EXTRACTOR |
| 2. BARREL | 19. LOCKING BLOCK |
| 3. FRONT BEAD | 20. MAGAZINE TUBE |
| 4. DETENT, MAG CAP | 21. SPRING, MAGAZINE |
| 5. SPRING, MAG CAP DETENT | 22. MAGAZINE SPRING RETAINER |
| 6. FOREARM | 23. MAGAZINE SPRING FOLLOWER |
| 7. SLIDE ARM | 24. BOLT, STOCK |
| 8. CLIP, SLIDE ARM RETAINER | 25. WASHER, FLAT STOCK BOLT |
| 9. FOREARM TUBE | 26. WASHER, LOCK STOCK BOLT |
| 10. NUT, FOREARM TUBE | 27. STOCK |
| 11. BOLT BODY | 28. RECOIL PAD |
| 12. PIN, FIRING PIN RETAINING | 29. SCREW, RECOIL PAD (2) |
| 13. FIRING PIN | 30. MAGAZINE BLOCKER |
| 14. SPRING, FIRING PIN | 31. RETAINER, MAG BLOCKER |
| 15. PIN, EXTRACTOR RETAINING | 32. "E" CLIP, MAG BLOCKER |
| 16. EXTRACTOR | 33. CHOKE TUBE |
| 17. PLUNGER, EXTRACTOR | 34. RECEIVER |

* SEE NEXT PAGE FOR SMALLER PART LIST

EXPLODED VIEW



35. PIN, TRIGGER FRAME (2)

36. "D" RING, TRIGGER FRAME PIN (2)

37. TUBE, TRIGGER FRAME PIN (2)

38. LIFTER

39. LIFTER, DOG

40. PIN, LIFTER DOG

41. CAP, LIFTER DOG SPRING

42. SPRING, LIFTER DOG

43. SLIDE LOCK LEVER

44. SPRING, SLIDE LOCK LEVER

45. STUD, SLIDE LOCK LEVER SPRING

46. PIN, HAMMER PIVOT

47. HAMMER

48. CAP, HAMMER SPRING

49. SPRING, HAMMER

50. PIN, TRIGGER PIVOT

51. TRIGGER

52. SPRING, TRIGGER

53. SEAR

54. CAP, SEAR SPRING

55. SPRING, SEAR

56. SAFETY

57. DETENT, SAFETY

58. SPRING, SAFETY DETENT

59. PIN, SAFETY SPRING RETAINING

60. FEED LATCH

61. SPRING, FEED LATCH

62. PIN, LATCH PIVOT (2)

63. RETAINER, LATCH PIVOT (2)

64. SHELL STOP

65. SPRING, SHELL STOP

66. TRIGGER GUARD HOUSING

CARE AND MAINTENANCE

It is essential that regular maintenance and cleaning be performed to maintain the accuracy, function, and maximize the longevity of your firearm. Before cleaning ALWAYS perform a safety check to make sure that the firearm is unloaded prior to cleaning. Your firearm should be free from rust, dirt, grease and firing residues in order to function reliably.

The critical components that should be kept clean and oiled regularly include the following:

- Interior of the upper receiver
- Barrel
- Breach
- Piston
- Gas seal
- Action bar
- Action bar tube
- Bolt assembly
- Trigger assembly
- Sear
- Hammer
- Safety selector

Failure to maintain these key components could result in damage to the firearm, failure to function, and could result in a major safety hazard.

We encourage our customers to visit the GForce Arms website (www.gforcearms.com) and watch the maintenance and assembly tutorial video's specific to your firearm model.

SERIAL NUMBER OF THE FIREARM

The serial number is located on various parts of the shotgun. Each serial number is specific to that shotgun and is used for identification and registration. It is recommended that you record your serial number in your manual and keep the information in a secured location. Always keep the serial number visible and unobstructed from view.

WARRANTY INFORMATION

This firearm is covered by a LIMITED LIFETIME warranty to the ORIGINAL RETAIL OWNER/PURCHASER. This warranty covers defects in material or workmanship. The Validity of any claim shall be determined by GForce Arms after visual inspection and/or testing of the firearm. If a defect in materials or workmanship is present, GForce Arms will, at its discretion, repair or replace the firearm. Please go to www.gforcerams.com/warranty to register for this warranty.

WARRANTY EXCLUSIONS

The warranty is VOID if the firearm has been altered, abused, misused, damaged by accident, fired with hand load or reload ammunition, obstructions in the barrel, or damage due to failure to provide regular and necessary maintenance. This warranty is also VOID if any unauthorized repair or alteration is performed on the firearm.