



BALISTIK DEFENCE



Before starting to use this firearm you have just bought, this instruction manual should be read and understood completely. This instruction manual assumes you have basic user knowledge of firearms and never replaces user training.

ADAM SERIES PISTOL

.45ACP & 9mm Calibers

OWNER'S MANUAL

www.balistikdefence.com

INDEX

| SUBJECT | PAGE |
|--|------|
| 1. WARRANTY AND SERVICE | 3 |
| 2. FIREARM SAFETY RULES | 4 |
| 3. AMMUNITION | 12 |
| 4. DISASSEMBLY - (SHORT RECOIL SPRING GUIDE) | 14 |
| 5. DISASSEMBLY - (LONG RECOIL SPRING GUIDE) | 17 |
| 6. ASSEMBLY - (SHORT RECOIL SPRING GUIDE) | 20 |
| 7. ASSEMBLY - (LONG RECOIL SPRING GUIDE) | 22 |
| 8. OPERATING INSTRUCTIONS | 24 |
| 9. CARE AND MAINTENANCE | 26 |
| 10. SAFETY FIRST | 27 |
| 11. EXPLODED VIEW (.45ACP) | 28 |
| 12. PART LIST (.45ACP) | 29 |
| 13. EXPLODED VIEW (9mm) | 30 |
| 14. PART LIST (9mm) | 31 |

WARRANTY AND SERVICE

For the life of this product from the date of purchase, **GForce Arms (US Importer for Balistic Defence)** warrants this product to be free from defects in material and workmanship to the first owner whose name is written on the Warranty Certificate (LIMITED Lifetime Warranty). **GForce Arms** may choose to repair or replace any defects under warranty with the same model or similar model.

GForce Arms is NOT responsible for the use of wrong caliber ammunition or the use of ammunition other than commercially manufactured ammunition or any combination of these firearms related to damages arising from careless or improper use, maintenance or repair by unauthorized persons, or improper part replacement, etc. will not accept claims.

If you need factory service, please contact **GForce Arms** customer service for instructions on how to repair your shotgun, whether under warranty or not.

We reserve the right to refuse service to modified, added or modified weapons. Modifications to the barrel or modifications of the firing mechanism and / or its working parts may result in the denial of service. In these cases, charges may be made for parts and labor to restore the weapon to its original specifications.

Register for warranty at **www.gforcearms.com/warranty**. For service, call GForce arms at **(833) 343-6723** or complete a service request at **www.gforcearms.com/service**.


FIREARMS SAFETY RULES

 **When a firearm discharges, the bullet or shot can strike a person, resulting in death or serious bodily injury.**

The three basic keys to safe handling of firearms:

1. **KEEP YOUR FINGER OFF THE TRIGGER UNTIL YOU ARE READY TO FIRE.** If you maintain good trigger discipline, it is extremely unlikely the firearm will fire.
2. **KEEP THE MUZZLE POINTED IN A SAFE DIRECTION.** Even if the firearm discharges, if the muzzle is pointed in a safe direction, no one will be injured.
3. **NEVER TRUST ANY SAFETY MECHANISM.** If you adopt the attitude that you will not trust any safety mechanism, you will be vigilant about keeping your finger off the trigger and keeping the muzzle pointed in a safe direction.

 **Never fire at targets at close range. Ricochets can and do cause death or serious bodily injury. What constitutes “close range” depends on many factors including target material, bullet caliber and angle of impact.**

 **Always treat this and any other firearm as if it were loaded. Never take anyone’s word that a firearm is unloaded. Clear it yourself with finger off the trigger and the muzzle pointed in a safe direction. First remove the magazine, then lock the slide open and visually and physically check to ensure that no round is chambered. Always make sure the firearm is unloaded and the slide locked open before laying it down or handing it to someone else.**

 **Prior to use, learn the mechanical and handling characteristics, and operation of the firearm you are using. Not all firearms are the same.**

 **Always keep the muzzle pointed in a safe direction. Never point this or any other firearm at anything you do not intend to shoot.**

 **Never place your finger inside the trigger guard or on the trigger unless you intend to fire.**

KNOW WHAT IS BEHIND YOUR TARGET. Unless you are shooting into a bullet trap designed to capture the type of ammunition you are firing, projectiles may pass through the target and strike anyone or anything beyond. Bullets can travel miles.

ALWAYS WEAR HEARING PROTECTION. Firearms are loud. The sound they generate is greater indoors. Repeated exposure to loud noises can cause deafness. Hearing protection is rated by decibel reduction. Look for “dB” reduction of 30 or more when purchasing ear protection. Modern ear protection can allow normal hearing until the sound from the discharge reaches the ear. Layering hearing protection, for example, wearing 30db rated foam plugs with 20db rated ear muffs, significant protection can be achieved.

ALWAYS WEAR EYE PROTECTION. In normal operation, firearms emit hot high-velocity gases, particles and metal. These materials flying into your eye can cause blindness. Protect your vision with proper eye protection. Any eye protection may be better than none.

NEVER HANDLE FIREARMS WHILE UNDER THE INFLUENCE OF DRUGS OR ALCOHOL. Firearms are dangerous. Handling firearms while impaired by drugs or alcohol is foolhardy and may result in serious injury

or death. This warning includes prescription drugs that contain a warning about using machinery or driving while taking the medication.

MODIFIED FIREARMS ARE DANGEROUS, AND USE CAN RESULT IN SERIOUS INJURY OR DEATH. “Trigger jobs,” polishing original components or installing aftermarket parts can cause a firearm to function in ways different than intended. Some such work may also be illegal.

DAMAGED FIREARMS ARE DANGEROUS, AND USE CAN RESULT IN SERIOUS INJURY OR DEATH. Repairs should always be made by a qualified gunsmith or by a factory-authorized repair site. Work done by those unfamiliar with the design can cause a firearm to function in ways different than intended.

NEVER ATTEMPT TO DISASSEMBLE OR CLEAN A LOADED FIREARM. DOING SO CAN RESULT IN SERIOUS BODILY INJURY OR DEATH.

IF A FIREARM GOES OFF, THERE WAS A ROUND OF AMMUNITION IN THE CHAMBER. Period. “Clear” (or empty) the firearm of all ammunition before disassembling or cleaning.

Always make sure that this firearm is in top working condition and that no internal or external parts have been damaged as a result of corrosion, improper maintenance or dropping.

Firearms should be unloaded when not actually in use. For increased safety, firearms should be stored unloaded in a location that is secure (for example, apply the supplied cable lock to the firearm and lock the firearm in a gun safe) and inaccessible to children and any other unauthorized person, with ammunition locked securely in a different location.

Never leave a loaded firearm unattended. Someone, especially a child, may fire it and cause death, serious injury or damage to property.

Any firearm that is not under your direct immediate control should be unloaded and rendered inoperable (for example, by use of a cable lock) and inaccessible to unauthorized users.

Always ensure that barrel and action are clear of obstructions before shooting. Shooting a blocked firearm can result in death or serious injury and damage to the firearm and/or property.

Use correct ammunition.

Do not alter or modify your firearm and have firearms serviced regularly.

Never drink alcoholic beverages or take drugs prior to or during shooting or handling of this or any other firearm, as this could affect or impair your vision, coordination and judgment, and may have other legal consequences. Seek a doctor's advice if you are taking any medication prior to engaging in any shooting activity.

Keep the manual safety fully engaged in the "safe" position when firearm is loaded until you are ready to fire. Immediately unload and clear this firearm when shooting sequence has been completed.

Never shoot at any hard or flat surface, such as rock, metal or water. The resulting ricochet could result in death, serious injury or property damage.

Always make sure the firearm is unloaded before cleaning.

If your firearm fails to fire when the trigger is pulled, handle with care. If the firearm fails to fire when the trigger is pulled, slow primer ignition (hangfire) may possibly be the cause. Keep the muzzle pointed downrange at the target for a minimum of 30 seconds. If the round still does not fire, remove the magazine, clear the firearm while keeping the muzzle pointed in a safe direction and the ejection port turned away from your face, eyes and other body parts, and examine the ejected, unfired cartridge. If the indent from the firing pin is off center, light or absent, take the firearm to a competent gunsmith. If the indent appears normal compared to other rounds, assume a faulty round, separate from other cartridges, reload and continue shooting.

Never use this firearm in any manner other than that for which it was specifically designed.

Never act in an irresponsible manner or ignore any established rules of safety when using or storing firearms.

Make sure all other shooters and bystanders are well away from the ejection port. Empty cases are ejected under force and may cause injury if someone is struck.

Never shoot the firearm with your thumb or other body part directly behind the slide, or you could be injured when the slide and firearm recoil in firing.

FIREARMS SAFETY SYSTEMS

1. Your involvement in safety cannot be overemphasized. No safety component can keep your finger off the trigger and the muzzle pointed in a safe direction. Also, you are the key to never trusting any of the mechanical parts of the safety system.

2. Manual Safety Lever. To operate the manual safety, the hammer must be cocked. Then, push the manual safety lever up. Manual safety must be all the way in the safe position to work properly, not halfway or at some other point in it's travel. Don't play with the manual safety and you will avoid accidents.

3. Trigger Guard. This is a physical obstruction that helps prevent unintended pressing of the trigger or trigger safety. Do not modify the trigger guard.

4. Grip Safety. The grip safety is located on the upper rear portion of the frame immediately below the hammer and is automatically engaged through spring pressure. The grip safety prevents rearward movement of the trigger. To disengage, grip the pistol firmly. This will allow the grip safety to move out of contact with the trigger assembly allowing the gun to fire.

5. Firing Pin Block. The firing pin block interferes with the forward travel of the firing pin until the trigger is pulled. Like a trigger safety, pressing the trigger moves this safety component from its "safe" (blocking) position to its "fire" (free) position.

6. This Manual. BALISTIK DEFENCE - ADAM Series, intends for you to use this manual to learn about your pistol and to help you use your pistol safely. If you use the manual, you will go a long way toward being a knowledgeable and safe firearms owner.

The selection of a revolver versus a pistol as well as the size, caliber and magazine capacity of a handgun are personal choices. There are many choices to be made, and there are advantages and disadvantages for each. When selecting a pistol, size has safety implications because of the way pistols are loaded.

Never force a jammed action. This could cause a round to explode resulting in death, serious injury or property damage.

SAFE CARRY CONDITION

“Safe Carry Condition” is the most ready-to-fire condition that the user feels is reasonable under the circumstances. Generally, we believe that our pistols should be carried with a full magazine and an empty chamber. Under most circumstances, this provides the best balance of readiness and safety. On the plus side, if the chamber is empty, unintended discharges are minimized. However, the slide must be manipulated to load a round in the chamber. In emergency circumstances, this can be difficult to do safely and correctly. “Safe Carry Condition” is a judgment call and must be made by the user.

CARRYING FIREARMS


Carrying a firearm can be dangerous and puts great responsibility on the person in possession of the firearm. Carrying or handling a firearm makes it more difficult to maintain control over the muzzle and makes it more likely that the firearm may be dropped or bumped, resulting in the firearm discharging. There are advantages and disadvantages to various methods of carrying any firearm. Educate yourself and choose which carry method is best for you and those around you.


In almost all circumstances, it is safest to carry a handgun in a holster designed for that specific handgun. Carrying a handgun in a pocket without a specific designed In-Pocket Holster or a trigger shield or in a waist band without a belt clip is always a last choice. Carrying any handgun in a holster that fits the firearm and style of carry should prevent it from accidentally falling and you from losing control of the muzzle.

Except in rare high-threat circumstances, carry your pistol with a full magazine and an empty chamber. If the chamber is empty, the pistol cannot fire.

Do not carry a loaded firearm with a live round in the chamber while walking, running, crossing or climbing a fence, stream, ditch or any obstacle, or where there is any possibility of slipping or falling, as this could lead to a possible unintentional discharge.


 **Do not carry your firearm in any way that might let it fall or be bumped. If a firearm falls or is bumped, it may fire.**

 **Always review and follow the holster or luggage manufacturer's instructions or the firearm may fall or be bumped and fire.**

 **Never lock a firearm with a round of ammunition in the chamber. Unlocking a loaded firearm makes it more difficult to maintain trigger discipline and to keep the muzzle pointed in a safe direction.**

 **Securing your firearm may inhibit access in a defensive situation and may result in injury or death.**

 **Failure to secure a firearm may result in injury or death. Properly securing a firearm means storing your firearm unloaded, decocked and securely locked, with all ammunition in a separate location.**

 **If dropped or struck, the pistol may fire. If dropped or struck the firearm should be inspected by a qualified armorer/gunsmith for a complete function check. After the firearm was dropped or struck, mechanisms, including automatic safeties, may not function as intended resulting in accidental death or serious injury.**

AMMUNITION

- Using the wrong ammunition in your pistol can result in serious bodily injury and damage to your pistol. Make certain the ammunition you load in the magazine is the same caliber as is marked on the pistol.
- Use only clean, dry factory-loaded ammunition. Old, damaged, wet or oily ammunition may fire at pressures higher than industry standard, causing injury to you and bystanders or damage to your pistol.
- Do not use reloaded ammunition in your pistol. Its firing pressures are unknown and may well exceed industry standard, causing injury to you and bystanders or damage to your pistol.
- Odd sounds are signs of trouble. If a round “does not sound right” when it goes off, stop firing right away. A bullet may be stuck in the barrel. Firing the pistol in this condition may cause pressures higher than industry standard, causing injury to you and bystanders or damage to your pistol.
- If you hear any odd sounds when firing your pistol, stop firing, clear the pistol and “field strip” (or disassemble) the pistol in accordance with the procedures listed in this manual. Once the barrel is removed from the slide, look down the bore. If you do not see light, there is something stuck in the bore. Do not fire the pistol again, and take the pistol to a qualified gunsmith.
- “Plus-P” (+P) ammunition generates pressures in excess of the pressures associated with standard ammunition. Such pressures may affect the wear characteristics or exceed the margin of safety built into some revolvers and could therefore be DANGEROUS.

- “Plus-P-Plus (+P+)” ammunition is not recommended for use in BALISTIK DEFENCE firearms. This marking on the ammunition designates that it exceeds established industry standards, but the designation does not represent defined pressure limits and therefore such ammunition may vary significantly as to the pressures generated.
- It is DANGEROUS to fire “+P+” ammunition in any BALISTIK DEFENCE firearm, and doing so may result in serious bodily injury or death. The Sporting Arms and Ammunition Manufacturers Institute (SAAMI) does not recognize any “+P+” ammunition at all. These loads operate at unknown pressures
- Locate the caliber designation marked on the handgun. This information indicates the ammunition caliber that should be used in this firearm. (See Picture #1 and #2).
- Never fire ammunition marked “+P+” in your pistol. It does not comply with industry standards as to chamber pressures.
- Do not lubricate your ammunition or spray aerosol lubricants, preservatives or cleaners directly onto or where they may come into contact with them. High penetration lubricants migrate into the barrel and can contaminate primary and / or gunpowder. In this case, a misfire or gunpowder can be prevented from igniting. If only the primary ignites, there is a danger that the bullet will exit the case and block the barrel.
- Store the ammunition in a cool, dry place away from heat sources. Heat accelerates the chemical decomposition of primer and gunpowder, shortening the shelf life of the ammunition.

DISASSEMBLY - (SHORT RECOIL SPRING GUIDE)

Please Scan QR Barcode
for
Watch Video for
DISASSEMBLY



Fig D1

1. Before and while disassembly always keep your finger off the trigger point the muzzle in a safe direction. Before disassembly remove the magazine by pressing the magazine release (Fig. D1) , pull the slide to the rear (Fig. D2) , lock it back and look (Fig. D3) and feel inside the magazine well and chamber to confirm the pistol is empty. (Fig. D4)

An empty firearm cannot fire.



Fig D2



Fig D3



Fig D4

- Make certain that firearm is unloaded before beginning disassembly. Otherwise, the firearm may fire when you pull the trigger to release the hammer. This may cause death, serious injury or property damage.
- Exercise great caution as the recoil spring and plug are under tension and can fly out with enough force to cause serious injury or property damage. Wear eye protection while disassembling and assembling.



Fig D5



Fig D6



Fig D7

2. Be very careful on this step as you will be releasing the preload on the recoil spring and if it is mishandled, it could fly out with substantial force. Using the barrel bushing wrench (Fig. D5), depress the recoil spring plug and turn the barrel bushing counter clockwise until it stops.

3. The barrel bushing, recoil spring plug and recoil spring are free. Release the spring pressure slowly and in a controlled manner (Fig. D6).

4. Ease out the recoil spring and recoil spring plug. Push the slide rearward until the tab on the slide catch aligns with the semi-circular notch at the base of the slide (Fig D7).

Fig D8



5. Push inward on the end of the slide stop shaft on the right side of the pistol while simultaneously pulling on the slide stop from the left side of the pistol (Fig D8).

Fig D9



6. Push the slide assembly forward and off the frame. Remove the recoil spring guide from the slide assembly.



Fig D10

7. Remove the recoil spring guide from the slide assembly (Fig. 9).

8. Push the barrel forward out of the front of the slide (Fig. 10)

 **No further disassembly is recommended unless done by a qualified gunsmith.**

DISASSEMBLY - (LONG RECOIL SPRING GUIDE)

Please Scan QR Barcode
for
Watch Video for
DISASSEMBLY



Fig D11

1. Before and while disassembly always keep your finger off the trigger point the muzzle in a safe direction. Before disassembly remove the magazine by pressing the magazine release (Fig. D11) , pull the slide to the rear (Fig. D12) , lock it back and look (Fig. D13) and feel inside the magazine well and chamber to confirm the pistol is empty. (Fig. D14)
An empty firearm cannot fire.



Fig D12

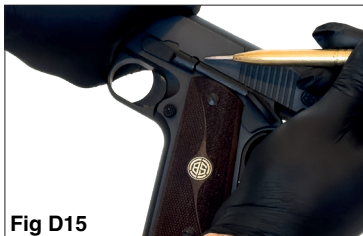


Fig D13



Fig D14

- Make certain that firearm is unloaded before beginning disassembly. Otherwise, the firearm may fire when you pull the trigger to release the hammer. This may cause death, serious injury or property damage.
- Exercise great caution as the recoil spring and plug are under tension and can fly out with enough force to cause serious injury or property damage. Wear eye protection while disassembling and assembling.



2. Ease out the recoil spring and recoil spring plug. Push the slide rearward until the tab on the slide catch aligns with the semi-circular notch at the base of the slide (Fig D15).



3. Push inward on the end of the slide stop shaft on the right side of the pistol while simultaneously pulling on the slide stop from the left side of the pistol (Fig D16).



4. Push the slide assembly forward and off the frame. Remove the recoil spring guide from the slide assembly (Fig D17).

Fig D18



5. Remove the recoil spring guide from the slide assembly (Fig. 18).

Fig D19



6. Using the barrel bushing wrench (Fig. D19), turn the barrel bushing counter clockwise until it stops.

Fig D20



8. Push the barrel forward out of the front of the slide (Fig. 20)

 **No further disassembly is recommended unless done by a qualified gunsmith.**

ASSEMBLY - (SHORT RECOIL SPRING GUIDE)

Please Scan QR Barcode
for
Watch Video for
ASSEMBLY



Fig D21



Fig D22



Fig D23



Fig D24

1. Slide barrel inside slide through the front.
2. Place guide rod on top of barrel as shown (Fig. D21).
3. Guide slide assembly back on the frame rails while holding the barrel and guide rod in the slide (Fig. D22).
4. Place barrel bushing back over the barrel inside the slide in position shown (Fig. D23) then rotate clockwise as far as it will rotate (Fig. D24).

Fig D25



5. Insert slide catch making sure it is inserted through the barrel link. With the slide catch partially inserted, rack the slide back until the tab on the slide catch aligns with the semi-circular notch at the base of the slide and fully insert the slide catch (Fig D25).

Fig D26



6. Insert recoil spring over guide rod. Insert recoil spring plug over the recoil spring (Fig. D26)

Fig D27



7. Once again, be very careful on this step as you will be loading a recoil spring and if it is mishandled, it could fly out with substantial force. Compress recoil spring inside the slide by pushing on the recoil spring plug until you can rotate barrel bushing to over the step in on recoil spring plug (Fig. D27).

Fig D28



8. Use the barrel bushing wrench to further depress recoil spring plug and rotate the barrel bushing back to its original position (Fig. D28).

ASSEMBLY - (LONG RECOIL SPRING GUIDE)

Please Scan QR Barcode
for
Watch Video for
ASSEMBLY



Fig D29

1. Slide barrel inside slide through the front (Fig. 29).



Fig D30

2. Place the barrel bushing as shown (Fig. 30).

3. Place guide rod and spring on top of barrel as shown (Fig. D31 & Fig. D32



Fig D31



Fig D32

Fig D33



4. Guide slide assembly back on the frame rails while holding the barrel and guide rod in the slide (Fig. D33).

Fig D34



5. Insert slide catch making sure it is inserted through the barrel link. With the slide catch partially inserted, rack the slide back until the tab on the slide catch aligns with the semi-circular notch at the base of the slide and fully insert the slide catch (Fig. D34 & Fig. D35).

Fig D35



Fig D36



OPERATING INSTRUCTIONS



1. To remove the magazine press the magazine release button, located near the trigger guard, with your thumb.



2. Hold the magazine with one of your hands and with the other one insert the cartridges one at a time, pressing them down and to the rear. Insert the magazine into the pistol until it is held by the magazine catch. If the magazine is not fully inserted and the magazine catch is not engaged, the magazine can fall out during firing.



3. Hold the pistol with one hand keeping your finger away from the trigger. With the other hand pull the slide to its limit and release it, so slide will go forward under recoil spring pressure and insert one cartridge in the chamber.



These BALISTIK DEFENCE pistols do not have a magazine disconnect (safety). They are capable of firing with magazine removed.

OPERATING INSTRUCTIONS



4. The pistol is now ready to fire by pulling the trigger. After firing, the slide will recoil from gas pressure, ejecting the empty case and feed another cartridge into the chamber from the magazine. The pistol is now ready to fire again.



5. After the last round, the slide will remain in the open position held by the slide catch. In order to make it return to its rest position, press the slide catch downward just above the left grip or pull slide to the rear and let the slide go forward (you must remove the empty magazine first).



6. If you choose to stop firing and magazine is not empty, place firearm on safe by moving safety lever to the up position, remove magazine. While pointing in a safe direction, remove safety, pull slide to rear and engage the slide catch to lock open to check and make sure chamber is empty.

 **The manual safety lever must be in fully engaged for the manual Safety to work**

CARE AND MAINTENANCE

- The firearm may be cleaned and lubricated under normal conditions with the disassembly steps described in pages 14-25.
- In order to keep a firearm safe to use, it must be kept clean and covered with a light film of good quality oil to prevent corrosion. The barrel bore should be cleaned and left free of debris.
- For normal cleaning, rub the pistol with a lightly oiled cloth. In the same way, proceed with the bore of the barrel. Excess oil should be removed.
- Dust should be removed from all crevices with a small clean brush. Please note that a firearm with laser should not be cleaned in a well or supersonic machine that submerges the firearm as this can damage the laser system.
- It is recommended to replace the recoil spring assembly every 500 rounds.

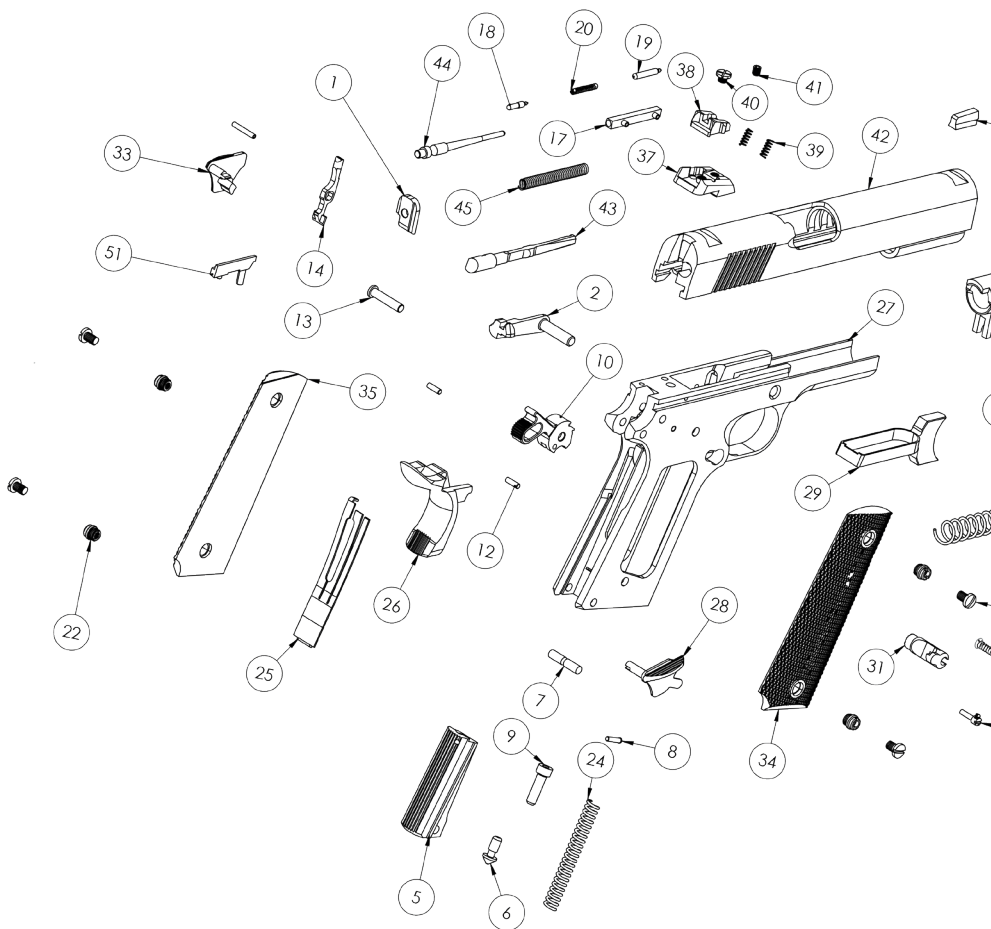
Before cleaning, (1) point the muzzle in a safe direction, (2) keep your finger off the trigger, (3) remove the magazine, then (4) pull back the slide and lock it to the rear, (5) look and feel the magazine well and chamber to confirm the pistol is empty. Never attempt to clean a loaded firearm.



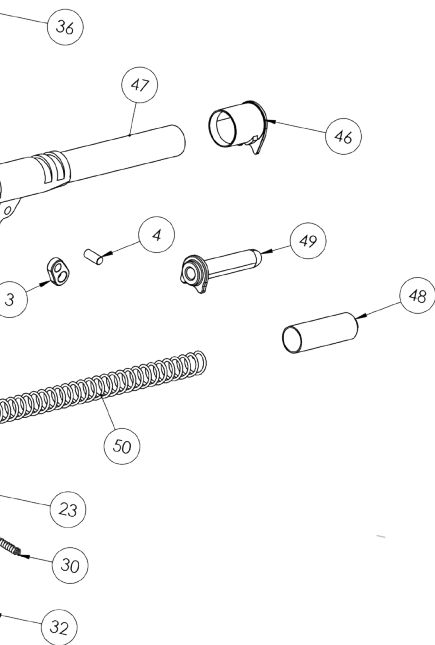
SAFETY FIRST

- 1. ALWAYS KEEP THE FIREARM POINTED IN A SAFE DIRECTION.**
- 2. ALWAYS KEEP YOUR FINGER OFF THE TRIGGER UNTIL READY TO SHOOT.**
- 3. ALWAYS KEEP THE FIREARM UNLOADED UNTIL READY TO USE.**
- 4. ALWAYS TREAT THE FIREARM AS IF IT IS LOADED AND READY TO DISCHARGE.**
- 5. ALWAYS FOLLOW RULES OF SAFE FIREARM HANDLING.**
- 6. READ AND UNDERSTAND THIS MANUAL IN ITS ENTIRETY PRIOR TO USING THIS FIREARM.**
- 7. BALISTIK DEFENCE STRONGLY RECOMMENDS THAT EVERY PERSON RECEIVE FIREARMS SAFETY TRAINING PRIOR TO USING.**

EXPLODED VIEW (.45ACP)

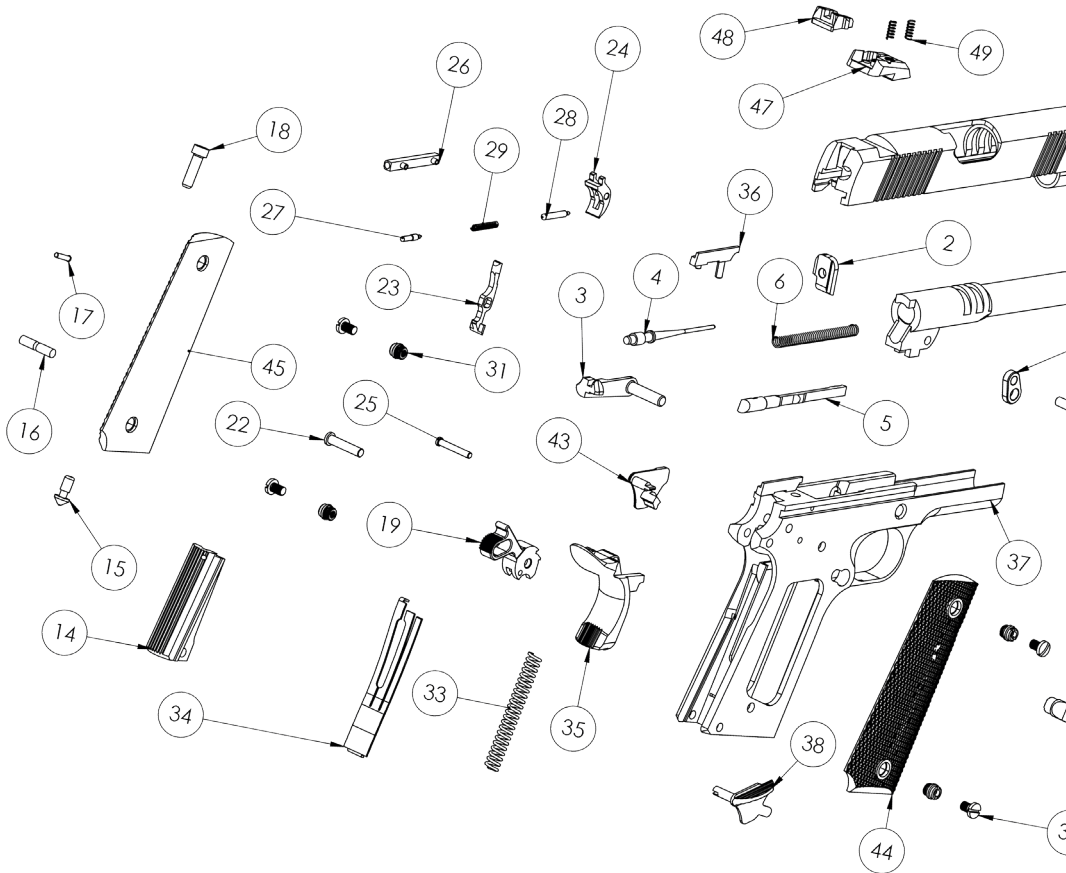


PART LIST (.45ACP)

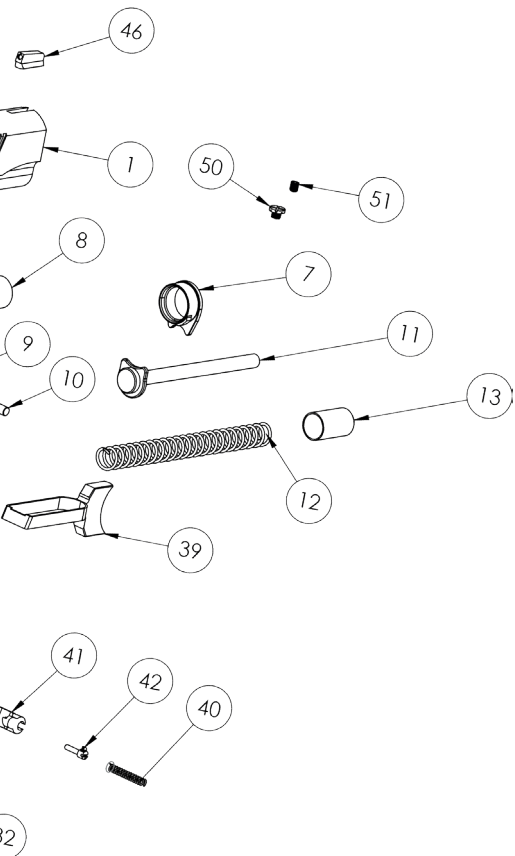


| | | | |
|----|---------------------------|----|--------------------------|
| 1 | Firing Pin Stop Plate | 27 | Frame (Receiver / Lower) |
| 2 | Slide Stopper | 28 | Thump Safety (Right) |
| 3 | Barrel Link | 29 | Trigger |
| 4 | Barrel Link Pin | 30 | Magazine Catch Spring |
| 5 | Mainspring Housing | 31 | Magazine Catch |
| 6 | Mainspring Pin Retainer | 32 | Magazine Catch Lock |
| 7 | Mainspring Housing Pin | 33 | Thump Safety (Left) |
| 8 | Mainspring Cap Pin | 34 | Grip |
| 9 | Mainspring Cap | 35 | Grip |
| 10 | Hammer | 36 | Front Sight |
| 11 | Hammer Strut | 37 | Rear Sight |
| 12 | Hammer Strut Pin | 38 | Rear Sight in Part |
| 13 | Hammer Pin | 39 | Rear Sight Spring |
| 14 | Disconnecter | 40 | Rear Sight Screw |
| 15 | Sear | 41 | Rear Sight Screw |
| 16 | Sear and Disconnecter Pin | 42 | .45ACP |
| 17 | Plunger Tube | 43 | Extractor |
| 18 | Safety Catch Plunger | 44 | Firing Pin |
| 19 | Slide Stop Plunger | 45 | Firing Pin Spring |
| 20 | Ejector Spring | 46 | Barrel Bushing |
| 21 | Ejector | 47 | Barrel |
| 22 | Stock Screw Bushing | 48 | Recoil Spring Plug |
| 23 | Grip Screw | 49 | Recoil Spring Guide |
| 24 | Mainspring | 50 | Recoil Spring |
| 25 | Sear Spring | 51 | Ejector |
| 26 | Grip Safety | | |

EXPLODED VIEW (9x19mm)



PART LIST (9x19mm)



| | | | |
|----|---------------------------|----|--------------------------|
| 1 | 9x19mm Slide | 27 | Slide Stop Plunger |
| 2 | Firing Pin Stop Plate | 28 | Safety Catch Plunger |
| 3 | Slide Stopper | 29 | Ejector Spring |
| 4 | Firing Pin | 30 | Ejector |
| 5 | Extractor | 31 | Stock Screw Bushing |
| 6 | Firing Pin Spring | 32 | Grip Screw |
| 7 | Barrel Bushing | 33 | Mainspring |
| 8 | Barrel | 34 | Sear Spring |
| 9 | Barrel Link | 35 | Grip Safety |
| 10 | Barrel Link Pin | 36 | Ejector |
| 11 | Recoil Spring Guide | 37 | Frame (Receiver / Lower) |
| 12 | Recoil Spring | 38 | Thump Safety (Right) |
| 13 | Recoil Spring Plug | 39 | Trigger |
| 14 | Mainspring Housing | 40 | Magazine Catch Spring |
| 15 | Mainspring Pin Retainer | 41 | Magazine Catch |
| 16 | Mainspring Housing Pin | 42 | Magazine Catch Lock |
| 17 | Mainspring Cap Pin | 43 | Thump Safety (Left) |
| 18 | Mainspring Cap | 44 | Grip |
| 19 | Hammer | 45 | Grip |
| 20 | Hammer Strut | 46 | Front Sight |
| 21 | Hammer Strut Pin | 47 | Rear Sight |
| 22 | Hammer Pin | 48 | Rear Sight in Part |
| 23 | Disconnecter | 49 | Rear Sight Spring |
| 24 | Sear | 50 | Rear Sight Screw |
| 25 | Sear and Disconnecter Pin | 51 | Rear Sight Screw |
| 26 | Plunger Tube | | |



BALISTIK DEFENCE

**IMPORTANT
DO NO DISCARD**

KEEP THIS MANUAL WITH THE FIREARM
UPON CHANGE OF OWNERSHIP.

DOC. NO : BSOM-1911/01
REV: 001 / 05.2023

Register your gun with this barcode.



BALISTIK SAVUNMA SAN. ve TIC. A.S.

Sanayi Mah. Cetin Sok. No:24 Kurtkoy - Pendik / Istanbul - TURKIYE

+90 216 595 15 28

info@balistikdefence.com

www.balistikdefence.com