

# GFORCE ARMS™

Your Authority For Quality Firearms



## RAPTURE

### MAGAZINE FED SEMI-AUTOMATIC HANDGUN INSTRUCTION MANUAL

**MODEL**

GF9®

**MANUFACTURER**

GFORCE ARMS

**ITEM NUMBER**

GF9®

**DESCRIPTION**

GFORCE ARMS  
GF9 9MM SUB-  
COMPACT PISTOL

This instruction manual should always accompany this firearm and be transported with it upon transfer of ownership, or when this firearm is loaned or presented to another person.

FOR SERVICE ON THIS MODEL CALL  
**(833) 343-6723**

**READ THE INSTRUCTIONS AND WARNINGS IN THIS MANUAL  
CAREFULLY BEFORE USING THIS FIREARM**

© 2023 GFORCE ARMS, INC.

THIS MANUAL MAY NOT BE REPRODUCED IN WHOLE OR IN PART  
WITHOUT THE WRITTEN PERMISSION OF GFORCE ARMS, INC.



**GFORCE ARMS™**

# TABLE OF CONTENTS

<b>3</b>	PISTOL SET PISTOL NOMENCLATURE
<b>4</b>	LEGAL OWNERSHIP STATE-BY-STATE WARNINGS
<b>5</b>	LOCKING DEVICE - INSTALLATION
<b>6</b>	FIREARM SAFETY
<b>7</b>	A GUN OWNER'S RESPONSIBILITY
<b>8</b>	AMMUNITION SAFETY OPERATION PISTOL CUSTOMIZING
<b>9</b>	MAGAZINE LOADING THE MAGAZINE LOADING THE FIREARM FIRING PIN SAFETY TEST
<b>10</b>	UNLOADING THE FIREARM SHOOTING THE FIREARM
<b>11</b>	TROUBLESHOOTING PROCEDURES OPTIC CUT CONFIGURATIONS
<b>12-13</b>	DISASSEMBLY & REASSEMBLY PROCEDURES
<b>14</b>	CARE AND MAINTENANCE YOUTH HANDGUN SAFETY ACT NOTICE SERIAL NUMBER OF THE FIREARM
<b>15-18</b>	EXPLODED VIEWS

## SPECIFIC IMPORTANT WARNINGS FOR THIS FIREARM CAN BE FOUND ON THE FOLLOWING PAGES:

- 3** - USE OF LOCKING DEVICES
- 6** - ADHERE TO RULES OF FIREARM
- 6** - RECEIVE PROPER TRAINING
- 8** - AMMUNITION WARNING
- 8** - LEAD EXPOSURE
- 8** - SAFETY OPERATION
- 9** - FIRING PIN WARNING
- 10** - SAFETY GLASSES & HEARING PROTECTION
- 10** - CLEAR BARREL OF OBSTRUCTIONS
- 10** - FIRING SAFETY
- 14** - YOUTH SAFETY ACT NOTICE

# RAPTURE® PISTOL SET

## FULL LIST OF CONTENTS YOU SHOULD RECEIVE WITH YOUR GF9 RAPTURE®

- GFORCE ARMS GF9 RAPTURE® PISTOL INCLUDES TWO (2) 10 OR 12 ROUND MAGAZINES (DEPENDING ON MODEL)
- OPTICS PLATE (WITH 2 MOUNTING SCREWS) \*
- CABLE GUN LOCK WITH 2 KEYS
- GRIP BACKSTRAP SET (0°, 2°, 4°, 6°) \*
- OWNER'S MANUAL
- PISTOL CASE (FOR STORAGE AND TRANSPORT)
- ALLEN KEY TOOL
- GFORCE ARMS STICKER

\* These parts may not be included with your version.



## PISTOL NOMENCLATURE



# LEGAL OWNERSHIP

**THIS FIREARM MODEL (GF9 RAPTURE) IS NOT LEGAL TO SELL OR TO POSSESS IN THE FOLLOWING STATES.**

CALIFORNIA  
WASHINGTON  
VERMONT

HAWAII  
MARYLAND  
MASSACHUSETTS

NEW JERSEY  
WASHINGTON D.C.  
NEW YORK

RHODE ISLAND

## STATE-BY-STATE WARNINGS

**Some states have their own legally required warning notices in larger-than-normal-type that must be conspicuously included by the manufacturer, distributor or retailer with firearms sold in that state. GForce Arms, Inc. sells its products in compliance with applicable laws and regulations, and so we include the following:**

### CONNECTICUT:

"UNLAWFUL STORAGE OF A LOADED FIREARM MAY RESULT IN IMPRISONMENT OR FINE."

### FLORIDA:

"IT IS UNLAWFUL, AND PUNISHABLE BY IMPRISONMENT AND FINE, FOR ANY ADULT TO STORE OR LEAVE A FIREARM IN ANY PLACE WITHIN THE REACH OR EASY ACCESS OF A MINOR UNDER 18 YEARS OF AGE OR TO KNOWINGLY SELL OR OTHERWISE TRANSFER OWNERSHIP OR POSSESSION OF A FIREARM TO A MINOR OR A PERSON OF UNSOUND MIND."

### MAINE:

"ENDANGERING THE WELFARE OF A CHILD IS A CRIME. IF YOU LEAVE A FIREARM AND AMMUNITION WITHIN EASY ACCESS OF A CHILD, YOU MAY BE SUBJECT TO FINE, IMPRISONMENT OR BOTH. KEEP FIREARMS AND AMMUNITION SEPARATE. KEEP FIREARMS AND AMMUNITION LOCKED UP. USE TRIGGER LOCKS."

### MARYLAND:

"WARNING: CHILDREN CAN OPERATE FIREARMS WHICH MAY CAUSE DEATH OR SERIOUS INJURY. IT IS A CRIME TO STORE OR LEAVE A LOADED FIREARM IN ANY LOCATION WHERE AN INDIVIDUAL KNEW OR SHOULD HAVE KNOWN THAT AN UNSUPERVISED MINOR WOULD GAIN ACCESS TO THE FIREARM. STORE YOUR FIREARM RESPONSIBLY!"

### NORTH CAROLINA:

"IT IS UNLAWFUL TO STORE OR LEAVE A FIREARM THAT CAN BE DISCHARGED IN A MANNER THAT A REASONABLE PERSON SHOULD KNOW IS ACCESSIBLE TO A MINOR."

### TEXAS:

"IT IS UNLAWFUL TO STORE, TRANSPORT, OR ABANDON AN UNSECURED FIREARM IN A PLACE WHERE CHILDREN ARE LIKELY TO BE AND CAN OBTAIN ACCESS TO THE FIREARM."

### WISCONSIN:

"IF YOU LEAVE A LOADED FIREARM WITHIN THE REACH OR EASY ACCESS OF A CHILD YOU MAY BE FINED OR

IMPRISONED OR BOTH IF THE CHILD IMPROPERLY DISCHARGES, POSSESSES, OR EXHIBITS THE FIREARM."

### CALIFORNIA:

"CHILDREN ARE ATTRACTED TO AND CAN OPERATE FIREARMS THAT CAN CAUSE SEVERE INJURIES OR DEATH. PREVENT CHILD ACCESS BY ALWAYS KEEPING GUNS LOCKED AWAY AND UNLOADED WHEN NOT IN USE. IF YOU KEEP A LOADED FIREARM WHERE A CHILD OBTAINS AND IMPROPERLY USES IT, YOU MAY BE FINED OR SENT TO PRISON."

### MASSACHUSETTS:

"WARNING FROM THE MASSACHUSETTS ATTORNEY GENERAL: THIS HANDGUN IS NOT EQUIPPED WITH A DEVICE THAT FULLY BLOCKS USE BY UNAUTHORIZED USERS. MORE THAN 200,000 FIREARMS LIKE THIS ONE ARE STOLEN FROM THEIR OWNERS EVERY YEAR IN THE UNITED STATES. IN ADDITION, THERE ARE MORE THAN A THOUSAND SUICIDES EACH YEAR BY YOUNGER CHILDREN AND TEENAGERS WHO GET ACCESS TO FIREARMS. HUNDREDS MORE DIE FROM ACCIDENTAL DISCHARGE. IT IS LIKELY THAT MANY MORE CHILDREN SUSTAIN SERIOUS WOUNDS, OR INFLECT SUCH WOUNDS ACCIDENTALLY ON OTHERS. IN ORDER TO LIMIT THE CHANCE OF SUCH MISUSE, IT IS IMPERATIVE THAT YOU KEEP THIS FIREARM LOCKED IN A SECURE PLACE AND TAKE OTHER STEPS NECESSARY TO LIMIT THE POSSIBILITY OF THEFT OR ACCIDENT. FAILURE TO TAKE REASONABLE PREVENTATIVE STEPS MAY RESULT IN INNOCENT LIVES BEING LOST, AND IN SOME CIRCUMSTANCES MAY RESULT IN YOUR LIABILITY FOR THESE DEATHS."

"IT IS UNLAWFUL TO STORE OR KEEP A FIREARM, RIFLE, HANDGUN OR MACHINE GUN IN ANY PLACE UNLESS THAT FIREARM IS EQUIPPED WITH A TAMPER RESISTANT SAFETY DEVICE OR IS STORED OR KEPT IN A SECURELY LOCKED CONTAINER."

### NEW JERSEY:

"IT IS A CRIMINAL OFFENSE TO LEAVE A LOADED FIREARM WITHIN EASY ACCESS OF A MINOR."

## FIREARM SAFETY IS YOUR RESPONSIBILITY

PLEASE CHECK WITH YOUR LICENSED RETAILER, STATE POLICE, OR LOCAL POLICE FOR ADDITIONAL WARNINGS, WHICH MAY BE REQUIRED BY LOCAL LAW OR REGULATION. SUCH REGULATIONS CHANGE CONSTANTLY, AND LOCAL AUTHORITIES ARE IN THE BEST POSITION TO ADVISE YOU ON SUCH LEGAL MATTERS.

# LOCKING DEVICE - INSTALLATION

When storing your GForce Arms RAPTURE® firearm or when you don't plan to use it immediately, it is crucial to utilize the locking device.

Ensure that the muzzle is always pointed in a safe direction and keep your fingers outside the trigger guard while installing the locking device.

## **FOLLOW THESE STEPS TO INSTALL THE LOCKING DEVICE PROVIDED BY THE FACTORY:**

1. Take out the magazine from your pistol.
2. Fully open the slide and confirm that the firearm is completely unloaded, with no cartridges or cartridge cases present. Utilize the slide stop to keep the slide open while installing the locking device.
3. Insert the cable directly into your pistol.
4. To lock: Turn the key to its farthest clockwise position and insert the loose end of the cable into the lock. Rotate the key counterclockwise and remove it.
5. Once the lock is securely closed, pull firmly on it to test the connection and ensure that it is locked. Remember not to leave or store your firearm with the key in the lock! Store your locked and unloaded firearm, along with the key, in separate secure locations, away from ammunition, children, and unauthorized adults.

## **WARNING - USE OF LOCKING DEVICES**



Do not store keys in lock.

1. Always keep your firearm pointed in a safe direction, including when you are installing or removing your locked device.
2. Prior to installing the locking device, always confirm that your firearm is completely unloaded.
3. Unless explicitly instructed otherwise, avoid installing locking devices in the trigger guard. Instead, keep your fingers and locking device outside the trigger guard during installation and removal.
4. Store your firearms, ammunition, and keys separately and securely, away from children and individuals who may handle them carelessly. Avoid storing your firearm with the keys inside the locking device.
5. Do not attempt to operate the firearm's slide while the locking device is in place, as this can cause damage.
6. While locking devices contribute to security measures, they should never be relied upon as a substitute for responsible firearm handling and proper storage. Keep in mind that any mechanical device can be bypassed given enough time, knowledge, determination, and equipment.

**LOCKING DEVICES MUST BE USED  
SAFELY & RESPONSIBLY**

# FIREARM SAFETY

**IMPORTANT WARNING: FAILURE TO ADHERE TO THE RULES OF FIREARM SAFETY CAN RESULT IN SERIOUS INJURY, DEATH, OR DESTRUCTION OF PROPERTY.**

**IMPORTANT WARNING: IT IS IMPORTANT FOR YOU TO RECEIVE PROPER TRAINING FROM A COMPETENT FIREARMS INSTRUCTOR OR AUTHORITY BEFORE BEGINNING TO SHOOT OR WHEN HANDLING THE FIREARM.**

**COMPLETELY READ AND UNDERSTAND YOUR OWNER'S MANUAL GUIDELINES BEFORE USING YOUR FIREARM.**

You should fully understand the function of all of the components and mechanics of the firearm. Before you remove the firearm out of the box thoroughly read the owner's manual on how to properly carry, handle, load, unload, and store your new firearm. Know the rules of proper gun safety and exercise them at all times because failure to do so may result in death or injury to yourself or others. Because it is impossible to list every firearm situation or scenario, be aware that certain circumstances may require additional safety rules unique to a particular situation. In these cases, we recommend that you obtain specific training by a certified instructor for unique situations.

**ALWAYS LEARN THE SPECIFIC MECHANICAL AND HANDLING CHARACTERISTICS OF YOUR HANDGUN**

All firearms are different thus it is important for you to understand how to properly carry, use, and handle each one according to its specific guidelines. Before using any firearm, one must completely familiarize themselves with the type of firearm and its specific safe handling procedures for loading, unloading and carrying.

**NEVER GIVE THE HANDGUN TO ANY PERSON WHO HAS NOT THOROUGHLY FAMILIARIZED HIMSELF OR HERSELF WITH ALL OF THE INFORMATION,**

**SAFETY RULES, AND WARNINGS IN THE OWNER'S MANUAL NEVER ALTER OR MODIFY YOUR FIREARM**

This firearm was produced under specific manufacturer guidelines and should not be modified under ANY circumstances. Altering the trigger, mechanical components, safety mechanisms, or using any parts or accessories other than those that were provided in the original box with your gun or specifically recommended in this manual is NOT RECOMMENDED by the manufacturer, and could result death, bodily harm, or compromise your safety or the safety of others. Any alteration made to the firearm also voids the factory warranty.

**ALWAYS KEEP THE FIREARM UNLOADED UNTIL READY TO USE**

Firearms should be kept unloaded when not in use. Whenever you pick up a firearm, immediately engage the safety device and remove the magazine to visually inspect the chamber and confirm that it is clear. Always unload all ammunition from the chamber and remove the magazine after:

- 1.) Shooting
- 2.) Putting the firearm away
- 3.) Putting the firearm into a case
- 4.) When not in use
- 5.) When handing it to another person

**ALWAYS KEEP THE MUZZLE POINTED IN A SAFE DIRECTION**

It's as simple as that, and it's up to you. Never point your gun at anything you do not intend to shoot. The safe direction may be "up" on some occasions or "down" on others, but never pointed at anyone or anything not intended as a target.

**KNOW YOUR TARGET AND WHAT IS BEYOND IT**

Whether you are at the range or in the woods, if you're going to shoot, you must know what lies beyond your target. In almost all cases, you must be sure that there is something that will serve as a backstop to capture projectiles that miss or go through the target.

# A GUN OWNER'S RESPONSIBILITY

As the owner of a firearm you have the responsibility and obligation of ensuring that any and all shooting activities are safe for everyone. This requires your personal commitment to carefully read, fully understand, and exercise the principles of proper firearm safety at all times. If this is the first handgun you have ever owned, or if you have limited experience with firearms, please visit your local shooting range and ask a trained professional to provide you with hands on training and tutorial. Doing this will improve your confidence and safety when using your firearm.

## DISCLAIMER

The firearm to which these safety rules apply is sold under the express resulting condition that the manufacturer accepts no liability in part or whole for bodily injury, death, or property damage from:

- Improperly or carelessly handling the firearm.
- Using defective , improper caliber, hand-loaded, or reloaded ammunition.
- Inadequate maintenance of the handgun resulting in corrosion or damage.
- Negligence.
- Resale in contradiction of any applicable laws or regulations.
- Altering or converting the firearm's original aesthetic, functioning mechanisms, accessories, or mechanical configuration.
- Discharging with criminal intent or negligence.
- Failure to understand, adhere to, and follow the rules of firearm safety when using or handling the firearm.
- Or any other circumstances outside the manufacturer's direct or immediate control.

## ALWAYS STORE YOUR FIREARM IN A SECURE STORAGE AREA TO PREVENT UNAUTHORIZED ACCESS

GForce Arms, Inc. recommends storing your firearm in a safe made specifically for firearms. Metal gun safes are recommended over open racks or glass front cabinets. In the case that a safe is not available for use, there are aftermarket trigger locking devices that can also be used to ensure that the firearm is unusable before storing in a conspicuous location such as a closet shelf, or other location out of plain view that is high enough to be out of the reach of young children. GForce Arms, Inc. also recommends that ammunition is stored in a separate location from the firearm. Never store a firearm loaded or with ammunition in the magazine.

## NEVER:

- Leave a loaded gun unattended, propped up against a surface, or out of your hands.
- Assume a firearm is unloaded, even if you used it last. Always check to make sure that there is no ammunition and the chamber is clear.
- Load a cartridge into the chamber until you are ready to fire.
- Carry or transport your firearm with live ammunition in the chamber.
- Pass a firearm to another person or accept a firearm from another person, until the cylinder or slide is open and you have personally checked that the firearm is completely unloaded.
- Haul a loaded firearm openly or in a carrying case.
- Never transfer or hand a loaded firearm to someone else.

## ALWAYS KEEP YOUR FINGER OFF THE TRIGGER UNTIL YOU ARE READY TO SHOOT

When holding the firearm be sure to rest your finger on the trigger guard or along the side of the gun.

## NEVER:

- Touch the trigger until you are ready to fire.
  - Engage in horseplay while handling a firearm.
  - Rely on the safety devices of the gun.
- Mechanical safeties are never foolproof and can wear out and malfunction.

## ALWAYS KEEP THE GUN POINTED IN A SAFE DIRECTION

A safe direction is one in which an accidental discharge cannot or would not cause injury or harm to yourself or others. Use extreme caution especially when loading and unloading your firearm. When handling any firearm always treat it as if it was loaded and ready to fire, even if you think it is empty. The recommended carrying position of your handgun is with the hammer in de-cocked position.

## NEVER:

- Point your firearm at anything you don't intend to shoot.
- Use a firearm under the influence of alcohol, drugs, or any other substances that may impair your judgment, skills, or physical abilities.
- Target shoot or hunt with a firearm when you are fatigued or too tired to operate the firearm safely.

# AMMUNITION

## RECOMMENDED AMMUNITION

It is imperative to understand that the RAPTURE should only be used with modern 9mm Luger ammunition cartridges. For optimal performance, we recommend using ONLY brass cased rounds. Aluminum or steel casings are not recommended.

## IMPORTANT WARNING - AMMUNITION

Death, serious injury, and damage can result from the wrong ammunition, bore obstructions, powder overloads or incorrect cartridge components. Even the strongest gun can be blown up by excess pressure. Only use correct ammunition loaded to U.S. Industry Standards. Always wear shooting glasses and hearing protection. **WARNING: IMPROPER AMMUNITION DESTROYS GUNS.**

## IMPORTANT WARNING - LEAD EXPOSURE

Discharging firearms in poorly ventilated areas, cleaning firearms, or handling ammunition may result in exposure to lead and other substances known to the State of California to cause birth defects, reproductive harm and other serious physical injury. Have adequate ventilation at all times. Wash hands thoroughly after exposure. **WARNING: SHOOTING OR CLEANING GUNS MAY EXPOSE YOU TO LEAD .**

## AMMUNITION (CARTRIDGES) NOTICE

We specifically disclaim responsibility for any damage or injury whatsoever occurring in connection with, or as a result of, the use of faulty, sub-standard, remanufactured, or hand loaded (reloaded) ammunition, or of cartridges other than those for which the firearm was originally chambered.

# SAFETY OPERATION

**IMPORTANT WARNING - YOUR GF9 RAPTURE PISTOL DOES NOT HAVE A CONVENTIONAL MANUAL SAFETY AND WILL FIRE IF THE TRIGGER IS PULLED WHEN THERE IS A ROUND IN THE CHAMBER.**

It is imperative as the owner of this firearm that you clearly understand where the safety mechanism is located on the firearm and how the safety mechanism works. The firearm uses a trigger face safety, where the trigger cannot be pulled unless proper finger placement on the trigger is achieved.



# PISTOL CUSTOMIZATION

For pistol customization, please refer to our YouTube Channel by scanning the QR code below with your phone.





# MAGAZINE

The RAPTURE uses a proprietary 9mm metal magazine.

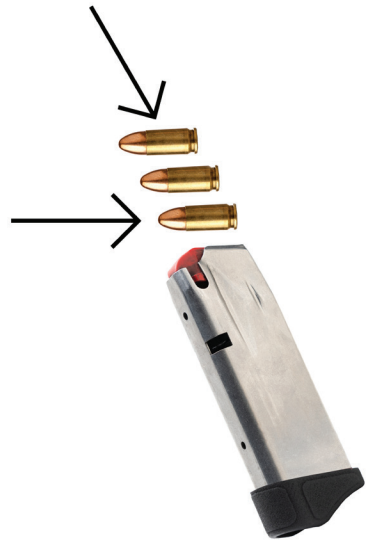
## LOADING THE MAGAZINE

The magazine is loaded from the top by depressing the spring-loaded follower with the back end of the cartridge and then sliding the cartridge under the retention lips to the rear of the magazine. Continue this process to maximize the use of the magazine capacity.

## LOADING THE FIREARM

First make sure that the firearm is pointed in a safe direction, in case for any reason the gun would accidentally discharge. Slide the top end of the loaded magazine firmly into the magazine well until the magazine catch secures and locks the magazine in place. Gripping the slide firmly, pull it to the rear position and then release the chamber a round. **ONLY** do this when you are ready to shoot the firearm.

**WARNING - The pistol is now loaded and ready to fire.**



**WARNING!  
LOADED PISTOL**

## FIRING PIN SAFETY TEST

**NOTICE - THE FIRING PIN IS HELD IN THE FORWARD POSITION UNDER SPRING PRESSURE. DO NOT ALLOW THE FIRING PIN TO SNAP FORWARD AGAINST THE FIRING PIN SAFETY BECAUSE THIS COULD CAUSE DAMAGE TO THE FIRING PIN AND/OR THE FIRING PIN SAFETY.**

1. Hold the slide and pull the lug of the firing pin, all the way to the rear of the slide and then ease it forward until it stops in contact with the firing pin safety.
2. Press the lug of the firing pin forward with your forefinger using moderate force. The firing pin must not move forward past the firing pin safety, and must not protrude from the breech face of the slide.

**IMPORTANT WARNING - IF THE FIRING PIN SAFETY FAILS TO KEEP THE FIRING PIN FROM MOVING FORWARD, DO NOT LOAD OR FIRE YOUR GF9 RAPTURE PISTOL. INSTEAD, HAVE IT INSPECTED AND REPAIRED BY GFORCE ARMS SERVICE DEPT. OR A CERTIFIED GUNSMITH.**

# UNLOADING THE FIREARM

Ensure that the firearm is pointed in a safe direction. Keep your finger off of the trigger. Firmly push in the magazine release button until the magazine is released from the magazine well. Once the magazine has been released, pull the slide to the rear to eject any round that may be in the chamber. The cartridge will be ejected from the ejection port. Visually check the chamber to ensure that it is empty and unloaded. Perform a safety check by physically inserting your finger into the chamber to feel for the presence of a round or cartridge case in the chamber.



# SHOOTING THE FIREARM

## **WARNING - USE SAFETY GLASSES AND HEARING PROTECTION WHEN SHOOTING**

Wear safety glasses when firing the firearm to protect your eyes from airborne debris or projectile ricochet. When shooting, handguns will often produce decibels of 155 and higher. Exposure to sounds producing decibels over 70 can lead to hearing loss. Therefore, it is important to wear hearing protection when shooting.

## **WARNING - ALWAYS MAKE SURE THAT THE BARREL IS CLEAR OF ANY OBSTRUCTIONS BEFORE SHOOTING**

Before loading always perform a safety check to make sure that there is no ammunition in the chamber or magazine. Examine the barrel for any obstructions or debris such as excess lubricant, dirt, or grease. If the bore is obstructed it can cause increased pressure causing the barrel to bulge or burst during use. Always use a cleaning rod and patch to remove any residues or obstructions in the barrel.

## **DO NOT TOUCH THE TRIGGER UNTIL YOU ARE ACTUALLY READY TO FIRE THE FIREARM**

### **WARNING - FIRING**

When firing the firearm, be sure that bystanders are well clear of the shooter and standing a safe distance behind the shooter. Empty cartridge cases are hot and are normally ejected from the handgun to the right of the shooter. They could cause injury to another person who is standing too closely alongside the shooter.

### **WARNING - THUMB POSITION**

When holding the handgun, it is crucial to establish a firm and secure grip with both hands. The dominant hand should grasp the grip firmly, ensuring that the web between the thumb and index finger is high on the backstrap. The non-dominant hand should wrap around the fingers of the dominant hand, forming a solid support. During this process, it is important to pay close attention to the position of the shooter's non-dominant hand thumb. To prevent any interference or accidental injury to the shooter, the shooter's non-dominant thumb should NOT be placed BEHIND the handgun near the rear of the slide. The slide moves rearward at a very fast speed and can cause injury to any part of the hand if improperly positioned.

# TROUBLESHOOTING PROCEDURES

STOPPAGE	CAUSE	CORRECTION
<b>FAILURE TO FEED</b> No cartridge fed into chamber/Cartridge partially still in magazine	Magazine not properly inserted or magazine is deformed or dirty	Correctly insert magazine or replace magazine
	Damaged/broken magazine spring	Replace magazine
<b>FAILURE TO CHAMBER</b> Cartridge is free from magazine but not fully seated into the chamber	Dirty chamber	Clean chamber
	Damaged ammunition	Replace ammunition
	Weak or broken recoil spring guide assembly	Return to GForce Arms for repair
<b>FAILURE TO FIRE</b> Trigger is pressed but no detonation	Faulty ammunition	Replace ammunition
	Slide not fully locked forward	Pull slide to rear end & release
	Damaged/broken striker assembly	Return to GForce Arms for repair
<b>FAILURE TO EXTRACT</b> Expend case remains in chamber	Dirty chamber	Clean chamber/bore
	Broken extractor or extractor spring	Return to GForce Arms for repair
<b>FAILURE TO EJECT</b>	Damaged/broken ejector	Return to GForce Arms for repair
	Relaxed grip/Shooter induced	Increase grip on pistol

## OPTIC CUT CONFIGURATIONS

### SHIELD & RMR FOOTPRINTS

Some GF9 RAPTURE models come with an "Optic Cut" in the slide. If equipped with an optic cut, this model is compatible with the "Shield" and "RMR" footprints. All other optic footprints will require an adapter, sold separately by the manufacturer of your selected optic. An Allen Key Wrench will accompany your firearm to remove the optic plate screws. Your model will also come with stud pins for either compatible footprint as noted above.

Screws to mount the optic to the GF9 Rapture with Optic Cut will come with the selected optic. Follow the recommended instructions from the optic manufacturer to install the optic. In addition, we recommend using light strength thread locker compound to ensure that the mounting screws do not come undone. Don't over-torque the mounting screws. With thread locking compound, it should only require a "snug" torque.



# DISASSEMBLY PROCEDURES

Step-by-step instructions to disassembly and reassemble the GForce Arms GF9 RAPTURE. if you prefer to follow along with a video, please visit our youtube channel and watch along. Search for GForce Arms GF9 RAPTURE Teardown on YouTube.

**STEP 1: POINT THE PISTOL IN A SAFE DIRECTION (A SAFE DIRECTION IS ONE IN WHICH NO ONE CAN POSSIBLY BE INJURED IN THE EVENT OF AN UNINTENTIONAL DISCHARGE). KEEP YOUR FINGER OFF OF THE TRIGGER AND OUT OF THE TRIGGER GUARD. PRESS ON THE MAGAZINE CATCH AND REMOVE THE MAGAZINE.**



**STEP 2: WITH YOUR FINGER OFF OF THE TRIGGER AND OUT OF THE TRIGGER GUARD, LOCK THE SLIDE OPEN BY PUSHING UP ON THE SLIDE STOP LEVER WHILE PULLING THE SLIDE TO THE REAR WITH YOUR OTHER HAND. ONCE THE SLIDE IS LOCKED TO THE REAR, BOTH VISUALLY AND PHYSICALLY (WITH YOUR LITTLE FINGER) INSPECT BOTH THE CHAMBER AND THE MAGAZINE WELL OF THE PISTOL TO BE SURE THAT NO AMMUNITION REMAINS IN EITHER PLACE.**



**STEP 3: PULL BACK SLIDE TO RELEASE SLIDE STOP LEVER AND CLOSE SLIDE. POINT THE PISTOL IN A SAFE DIRECTION, THEN PULL THE TRIGGER. YOU WILL HEAR THE FIRING PIN MOVE FORWARD. HOLD THE PISTOL IN EITHER HAND SO THAT FOUR FINGERS GRASP THE TOP OF THE SLIDE. WITH THESE FOUR FINGERS, PULL AND HOLD THE SLIDE BACK APPROXIMATELY 1/10 INCH.**

NOTE: If you pull the slide too far to the rear, it will reset the pistol's trigger to the forward position. If so, repeat the steps of unloading the pistol, point the pistol in a SAFE DIRECTION, pull the trigger to the rearward position, and begin steps of slide removal again.



**STEP 4: SIMULTANEOUSLY, PULL DOWN AND HOLD BOTH SIDES OF THE SLIDE LOCK USING THE THUMB AND INDEX FINGER OF YOUR FREE HAND. PUSH THE SLIDE FORWARD UNTIL IT IS FULLY SEPARATED FROM THE RECEIVER. PUSH THE RECOIL SPRING ASSEMBLY SLIGHTLY FORWARD WHILE LIFTING IT AWAY FROM THE BARREL.**

Safety Caution: The recoil spring assembly is under tension and can spring loose causing eye or other injury. During removal use care to control the recoil spring assembly.



**STEP 5: REMOVE THE RECOIL SPRING ASSEMBLY, AND LIFT THE BARREL FROM THE SLIDE.**

Safety Caution: Further disassembly by the user is neither required nor recommended, and should only be performed by a GForce Arms Safety Technician or certified-Gunsmith.



## REASSEMBLY PROCEDURES

RE-ASSEMBLE THE FIREARM BY REVERSING THE DISASSEMBLY STEPS ABOVE

Clean all parts of the slide, barrel, and guide rod/spring with solvent and oil made for firearms. For cleaning, there is no need to break down the frame and trigger parts. Wipe off all parts of the slide and trigger that are exposed with a soft cloth. To assemble the slide, perform steps 2-4 in reverse order. Once the barrel and guide rod/spring are installed in the slide, attach the slide to the frame by lining up the grooves in the rear of the slide with the front tabs on the frame. Push the slide to the rear until it engages with the frame. Function test the fully assembled firearm by ensuring the slide pulls to the rear and release without issue.

# CARE AND MAINTENANCE

It is essential that regular maintenance and cleaning be performed to maintain the accuracy, function, and maximize the longevity of your firearm. Before cleaning ALWAYS perform a safety check to make sure that the firearm is unloaded prior to cleaning. Your firearm should be free from rust, dirt, grease and firing residues in order to function reliably. The critical components that should be kept clean and oiled regularly include the following:

- Slide
- Barrel
- Slide Spring and Rod
- Frame
- Trigger Assembly

Failure to maintain these key components could result in damage to the firearm, failure to function, and could result in a major safety hazard.

We encourage our customers to visit the GForce Arms website ([www.gforcearms.com](http://www.gforcearms.com)) and watch the maintenance and assembly tutorial video's specific to your firearm model.

## YOUTH HANDGUN SAFETY ACT NOTICE

1. The misuse of handguns is a leading contributor to juvenile violence and fatalities.
2. Safely storing and securing firearms away from children will help prevent the unlawful possession of handguns by juveniles, stop accidents, and save lives.
3. Federal law prohibits, except in certain limited circumstances, anyone under 18 years of age from knowingly possessing a handgun, or any person from selling, delivering, or otherwise transferring a handgun to a person under 18.
4. A knowing violation of the prohibition against selling, delivering, or otherwise transferring a handgun to a person under the age of 18 is, under certain circumstances, punishable by up to 10 years in prison.

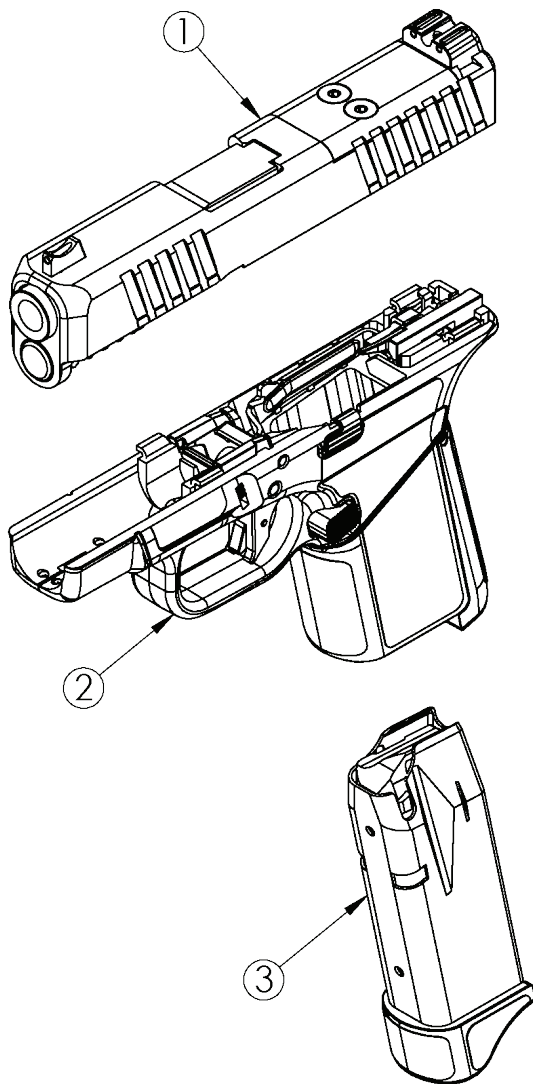
## SERIAL NUMBER OF THE FIREARM

The serial number is located on the frame of the firearm directly in front of the trigger guard. Each serial number is specific to that handgun and is used for identification and registration. It is recommended that you record your serial number in your manual and keep the information in a secured location. Always keep the serial number visible and unobstructed from view.

### WARRANTY INFORMATION

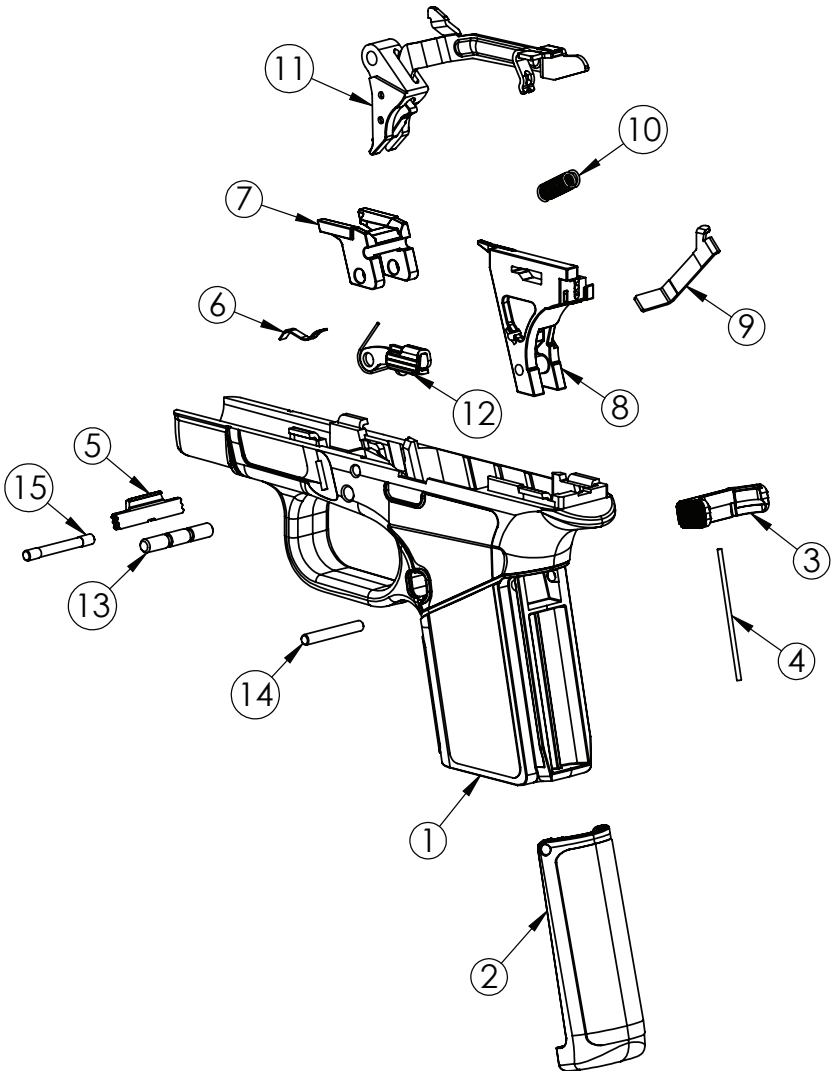
This firearm has a lifetime warranty that covers all working components for workmanship and breakage due to faulty parts. Firearms confiscated, modified, or used for purposes other than legally intended immediately VOID the warranty. All warranty service is completely at the discretion of GForce Arms, Inc. and their service agents.

# EXPLODED VIEW



1	Slide Assembly
2	Frame Assembly
3	Magazine Assembly

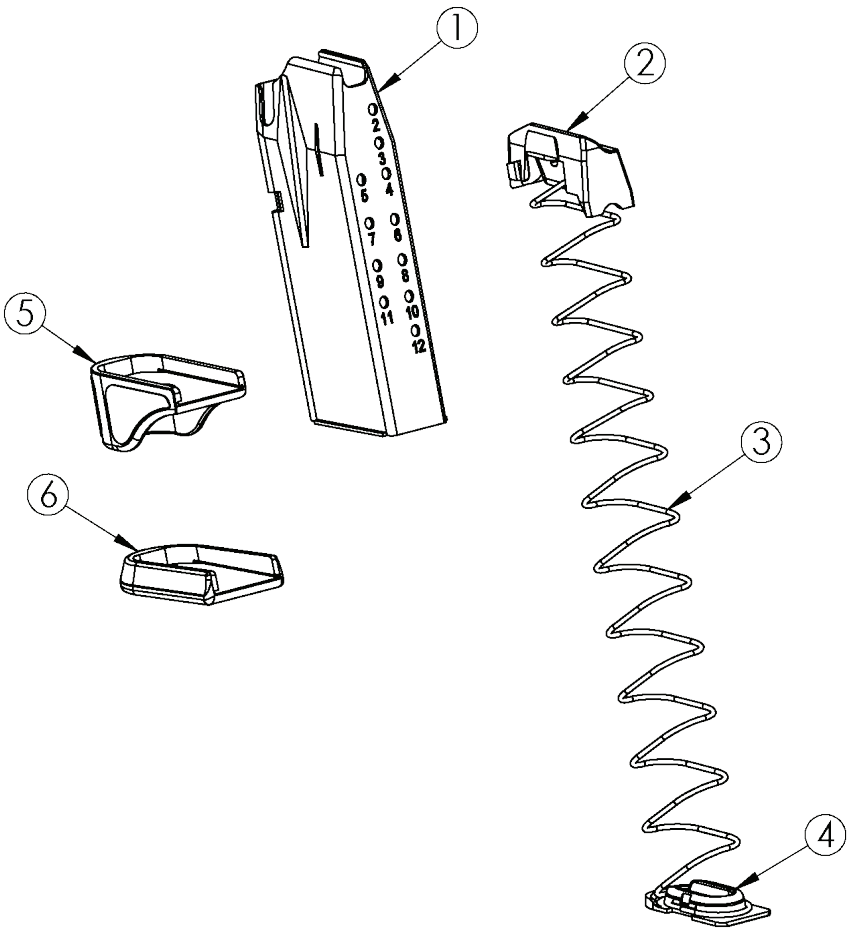
# EXPLODED VIEW



1	Frame	9	Connector
2	Backstrap	10	Trigger Spring
3	Magazine Catch	11	Trigger with Trigger Bar
4	Magazine Catch Spring	12	Slide Stop Lever with Spring
5	Slide Lock	13	Trigger Pin
6	Slide Lock Spring	14	Trigger Housing / Backstrap Pin
7	Locking Block	15	Locking Block Pin
8	Trigger Housing with Ejector		

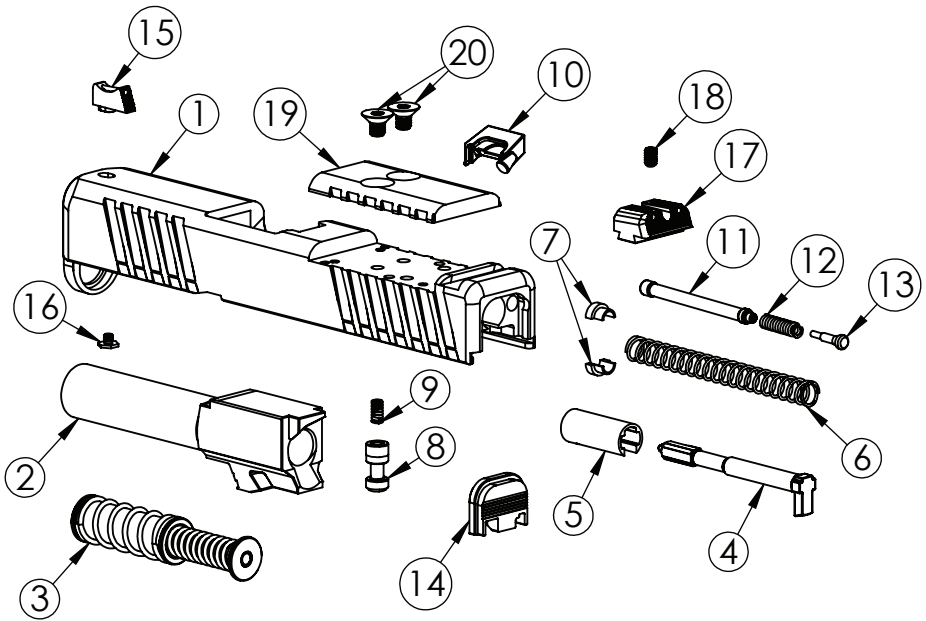


# EXPLODED VIEW



1	Magazine Tube, 10 or 12 round
2	Follower
3	Magazine Spring
4	Magazine Basepad Retainer
5	Magazine Basepad, Pinky Rest
6	Magazine Basepad, Flat

# EXPLODED VIEW



1	Slide	11	Extractor Depressor Plunger
2	Barrel	12	Extractor Depressor Plunger Spring
3	Recoil Spring Assembly	13	Spring-loaded Bearing
4	Firing Pin	14	Slide Cover Plate
5	Spacer Sleeve	15	Front Sight
6	Firing Pin Spring	16	Front Sight Screw
7	Spring Cups	17	Rear Sight
8	Firing Pin Safety	18	Rear Sight Screw
9	Firing Pin Safety Spring	19	Optics Cover Plate
10	Extractor	20	Optics Cover Plate Screws



# GFORCE ARMS™

Your Authority For Quality Firearms

## **IMPORTANT: DO NOT DISCARD**

Keep this manual with the firearm upon change of ownership.

## **LIFETIME WARRANTY**

Your GForce Arms GF9 RAPTURE has a LIFETIME WARRANTY that covers any functional issue with the firearm for any reason. This warranty is transferrable. If, for any reason, your firearm malfunctions, please visit [gforcearms.com/service](http://gforcearms.com/service) and complete a service request. We will cover shipping to our service center, labor and parts costs for repair.

## **CONTACT US**

General Questions: [info@gforcearms.com](mailto:info@gforcearms.com)

Service Questions: [service@gforcearms.com](mailto:service@gforcearms.com)

Toll Free Phone: **833-343-6723 (833-3GFORCE)**

This instruction manual should always accompany this firearm and be transported with it upon transfer of ownership, or when this firearm is loaned or presented to another person.

**READ THE INSTRUCTIONS AND WARNINGS IN THIS MANUAL CAREFULLY BEFORE USING THIS FIREARM**

© 2023 GFORCE ARMS, INC.

THIS MANUAL MAY NOT BE REPRODUCED IN WHOLE OR IN PART WITHOUT THE WRITTEN PERMISSION OF GFORCE ARMS, INC.



**GFORCE ARMS™**